

Narcotics Security Locker NSL15119

Narcotics Security Locker built to federal standards for narcotics storage. 15"W, 11"H, 9"D. This was formerly model NL10.

Reinforced double wall door for added security. Locks are keyed different. Keys are not removable in unlocked position.

Welded heavy gauge double wall 304 stainless steel. Full height piano hinge with welded pin. 1 Shelf, height adjustable.

OPTIONS

NSLL1: Lock, electronic.

NSLL2: Lock, elect, audit trail.

NSLDS: Door switch, 120 volt.

NSLRW: Remote warning light.

See pages 2 and 3 for option details and model numbers.



Standard with 2 keyed locks.



Optional electronic locks.

The logo for CARR, featuring the word "CARR" in a bold, stylized font with horizontal lines through the letters.

Narcotics Security Locker NSL15119

Options

ELECTRONIC LOCK

Easy to use with 20 user codes, release knob, low battery indicator, non-volatile memory. Option NSLL1



Electronic lock, NSLL1 option.

ELECTRONIC LOCK & AUDIT TRAIL SOFTWARE

1,500 Event rolling audit trail is downloadable from the lock via micro USB port to your Windows PC with Excel software. Lock comes with Excel template. Programming of lock codes done through PC. Has 20 user different codes, release knob, low battery indicator and non-volatile memory. Option NSLL2



Electronic lock with audit trail, NSLL2 option.

Narcotics Security Locker NSL15119

Options

DOOR SWITCH

This activates the optional remote warning light when the door is opened. 120 Volts. Option NSLDS



REMOTE WARNING LIGHT

Indicates when the narcotics security locker has been opened. Can be located in a nurses station for example or even on the cabinet exterior. Option NSLRW



Carr Corporation

BACKGROUND INFORMATION

Carr Corporation was established in 1946 to build the finest quality medical equipment. Based in Santa Monica California, it has prominent installations on all continents, including Antarctica. It's innovative imaging systems were even selected for the SR-71 and Apollo moon landing programs. Our philosophy: "The greatest sophistication is simplicity" - *Leonardo Da Vinci*.

ADDRESS:

Carr Corporation
1547 11th Street,
Santa Monica, California, USA
90401

CARR CORPORATION

carrcorp@aol.com - 800 952 2398

carrcorporation.com - 6/21 - Page 4





NARCOTICS LOCKER
MODEL NSL15119
 MODEL NL10 FORMERLY

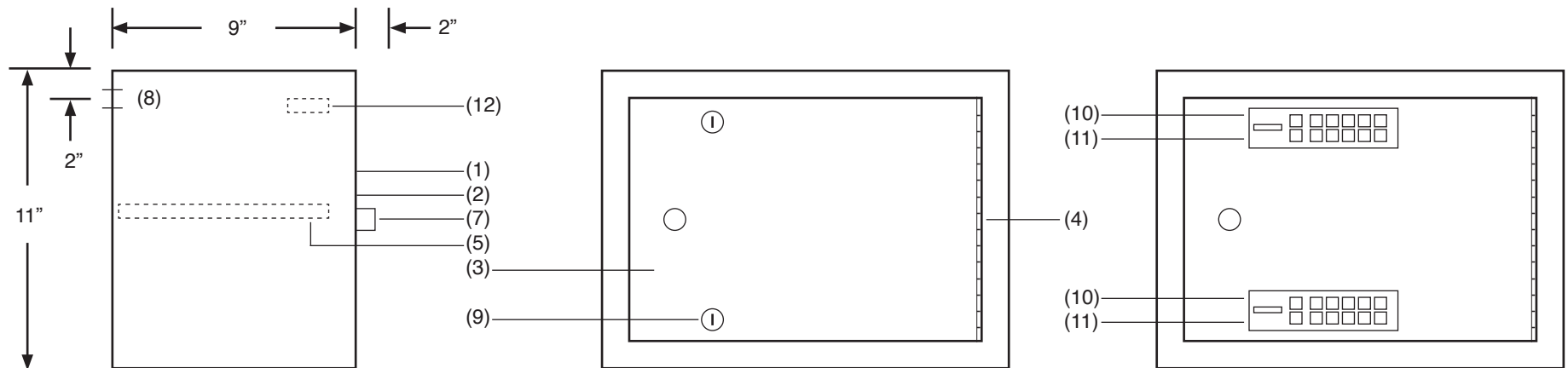
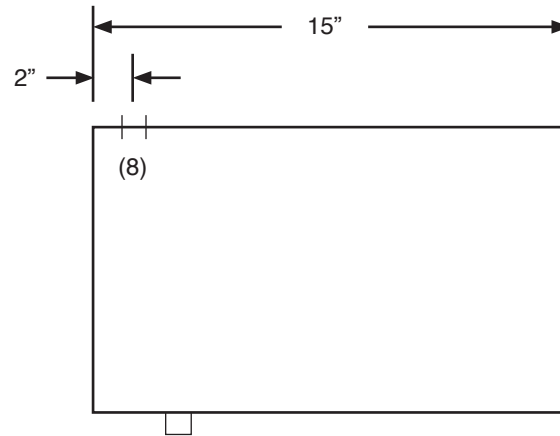
DATE: 5/10/21 DRAWING NO.: 404
 BY: JJR SCALE: 2" = 1' 0"

- 1. STAINLESS, TYPE 304, #4 FINISH.
- 2. DOUBLE WALL CONSTRUCTION.
- 3. DOOR, DOUBLE WALL.
- 4. PIANO HINGE, FULL HEIGHT.
- 5. SHELF, HEIGHT ADJUSTABLE IN 1/2" INCREMENTS.
- 6. NYLON ROLLER DOOR CATCH, SPRING LOADED, NOT SHOWN.
- 7. DOOR KNOB.
- 8. KO, 7/8" DIA. FOR RWL (ITEM 12) ELECT CONNECT, 120V 60HZ.

- 9. LOCK, KEYED, CHANGEABLE CORE, KEY REMOVABLE IN LOCKED POSITION ONLY, KEYED DIFFERENT.
- 10. LOCK, ELECTRONIC, 20 USER CODES, RELEASE KNOB, LOW BATTERY INDICATOR, OPTIONAL.
- 11. LOCK, ELECTRONIC, WITH 1,500 EVENT ROLLING AUDIT TRAIL, WINDOWS PC BASED EXCEL

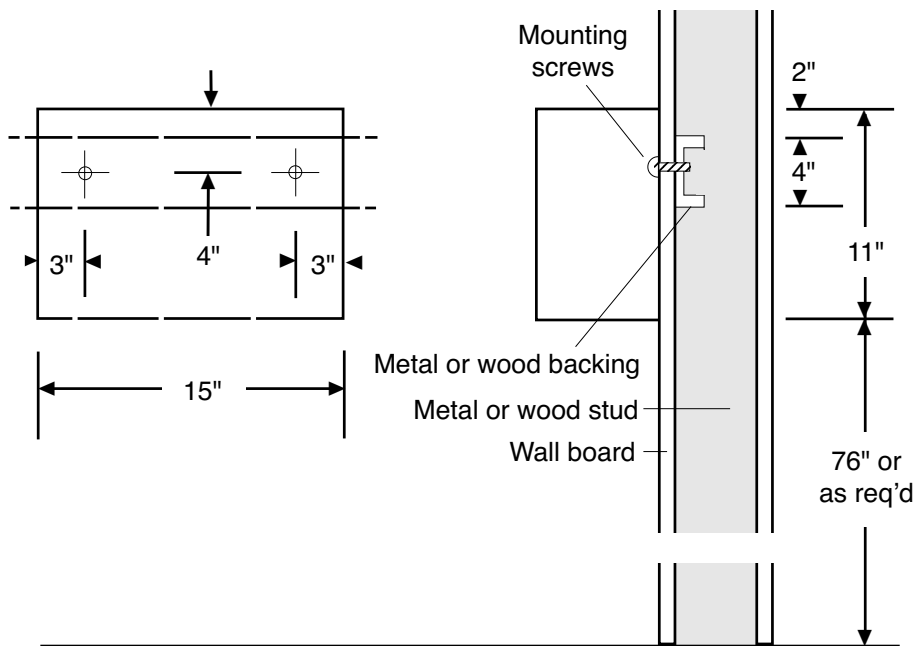
- SOFTWARE PROGRAMMING, MICRO USB PORT, NON-VOLATILE MEMORY, 20 USER CODES, RELEASE KNOB, LOW BATTERY INDICATOR, OPTIONAL.
- UPPER LOCK □ LOWER LOCK
 - 12. SWITCH FOR REMOTE WARNING LIGHT, OPTIONAL.
 - 13. REMOTE WARNING LIGHT, RED LENS, 120V 60 HZ, OPTIONAL.

NOTE: ONLY ITEMS WITH MARKED BOXES ARE INCLUDED.



Carr Narcotics Security Locker Model NSL15119 (Formerly NL10) Installation, Operation & Maintenance

Manual No. 405 Revised 5/10/21



Installation

1. Check local codes before beginning installation.
2. Drill holes in back of cabinet in locations shown to attach to backing. If backing is not used and instead you choose to screw directly into studs (if possible), drill holes in back of cabinet at appropriate locations.
3. Place cabinet on wall and secure with screws appropriate for type of wall material.
4. Check that cabinet is level.

Operation

Cabinet can be unlocked using provided keys. Keys cannot be removed in the unlocked position. If key is lost or locks need to be changed, contact Carr.

Maintenance

The cabinet is maintenance free. To clean, use a mild detergent with water and a soft cloth. Wiping cabinet with a mineral oil on a soft cloth will make the stainless steel shine.

CARR