

FDT

Folding
Desk
Thinline

MODEL FDT22161

Very thin, convenient workstation folds up to only 1" thick.

Suitable for hospitals, clean rooms, offices and homes.

Folded size 22"W, 16"H, 1"D.

Desktop surface 21"W, 15"D.

Clean, modern design theme.

100 Pound weight capacity.

Type 304 stainless, #4 finish.



See next page for version with storage.



CARR

FDS

Folding Desk with Storage

MODEL FDS22163

Complete workstation comes with convenient storage pocket.

Store laptops, files, supplies.

Folded size 22"W, 16"H, 3"D.

Pocket 20"W, 4 1/2"H, 1 1/2"D.

Desktop surface 21"W, 15"D.

100 Pound weight capacity.

Type 304 stainless, #4 finish.

Optional keyed security lock.



FDS

Folding
Desk with
Storage

MODEL FDS22163

The largest laptops fit with space for other items such as cords, mouse and supplies. The pictured laptop is 17" size.



CARR CORPORATION
carrcorp@aol.com - 800 952 2398
carrcorporation.com - 11/20 - Page3

FDS

Folding Desk with Storage

Model FDS22163

When open, a large laptop such as this 17" fits the desk easily.



CARR CORPORATION
carrcorp@aol.com - 800 952 2398
carrcorporation.com - 11/20 - Page 4

FDS

Folding
Desk with
Storage

OPTIONAL LOCK. Keyed lock
secures folding desk with stor-
age. Removable lock core
makes key changes very easy.
Option FDSL1.



Carr Corporation

BACKGROUND INFORMATION

Carr Corporation was established in 1946 to build the finest quality medical equipment. Based in Santa Monica California, it has prominent installations on all continents, including Antarctica. It's innovative imaging systems were even selected for the SR-71 and Apollo moon landing programs. Our philosophy: "The greatest sophistication is simplicity" - *Leonardo Da Vinci*.

ADDRESS

Carr Corporation
1547 11th Street,
Santa Monica, CA, USA 90401

CARR CORPORATION

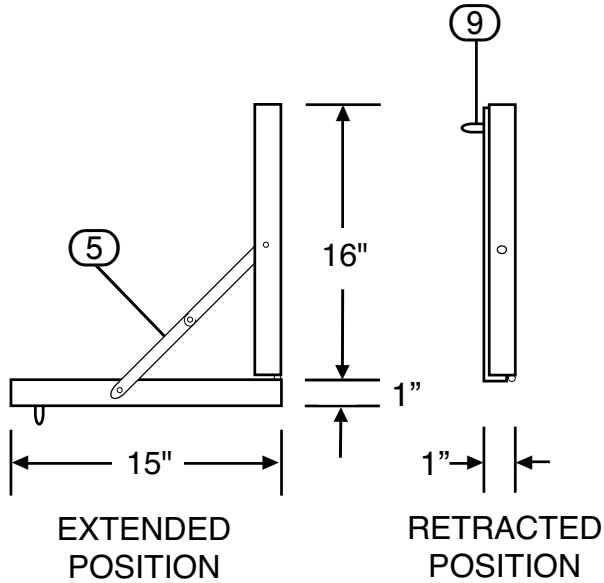
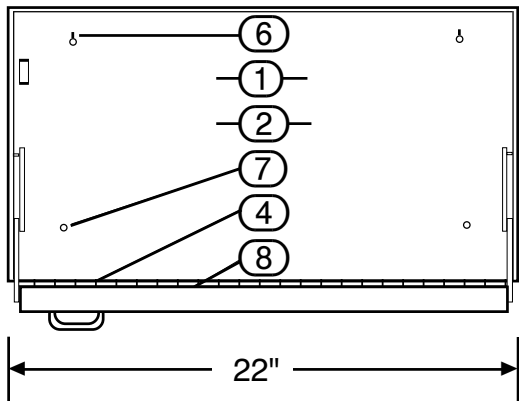
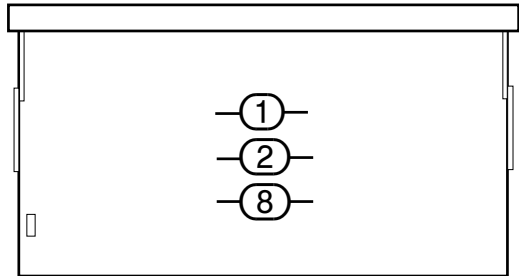
carrcorp@aol.com - 800 952 2398
carrcorporation.com - 11/20 - Page6



FOLDING DESK, THINLINE

MODEL FDT22161

DATE: 10/2/20 SCALE: NOT TO SCALE
 DRAWN BY: *ggR* DRAWING NO. 225



- 1. ELECTRO-GALVANIZED STEEL CONSTRUCTION
- 2. STAINLESS STEEL CONSTRUCTION
- 3. BAKED POWDER COATED FINISH COLOR: WHITE
- 4. FULL LENGTH PIANO HINGE
- 5. SUPPORT ARM, FOLDING
- 6. MOUNTING KEYHOLES
- 7. MOUNTING HOLES, 1/4" DIA.
- 8. WORK SURFACE
- 9. HANDLE, BRASS, CHROME PLATED WIRE PULL

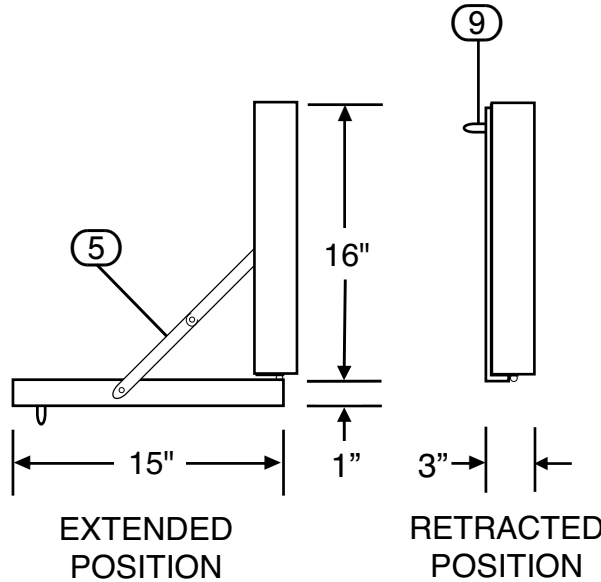
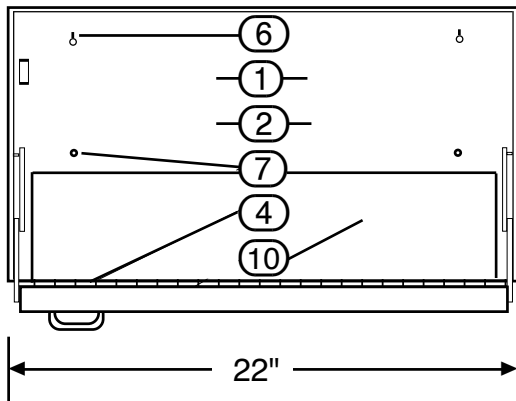
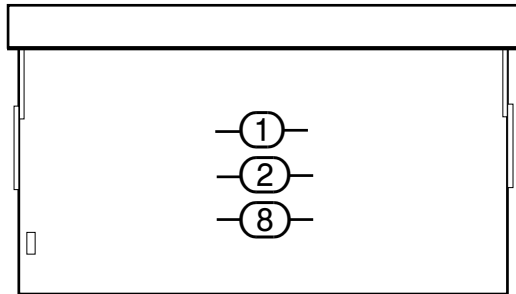
NOTE: ONLY ITEMS WITH MARKED BOXES ARE INCLUDED.



FOLDING DESK WITH STORAGE

MODEL FDS22163

DATE: 10/2/20 SCALE: NOT TO SCALE
 DRAWN BY: *ggR* DRAWING NO. 380



- 1. ELECTRO-GALVANIZED STEEL CONSTRUCTION
- 2. STAINLESS STEEL CONSTRUCTION
- 3. BAKED POWDER COATED FINISH COLOR: WHITE
- 4. FULL LENGTH PIANO HINGE
- 5. SUPPORT ARM, FOLDING
- 6. MOUNTING KEYHOLES
- 7. MOUNTING HOLES, 1/4" DIA.
- 8. WORK SURFACE
- 9. HANDLE, BRASS, CHROME PLATED WIRE PULL
- 10. STORAGE AREA

NOTE: ONLY ITEMS WITH MARKED BOXES ARE INCLUDED.

CARR