

CCC

Carr
Case
Carts

Designed for operating rooms.

Five sizes for any storage need.

All stainless steel, type 304.

Doors open fully to the sides.

Smooth, easy to clean interior.

Easy rolling 5" diameter casters.

Two height adjustable shelves.

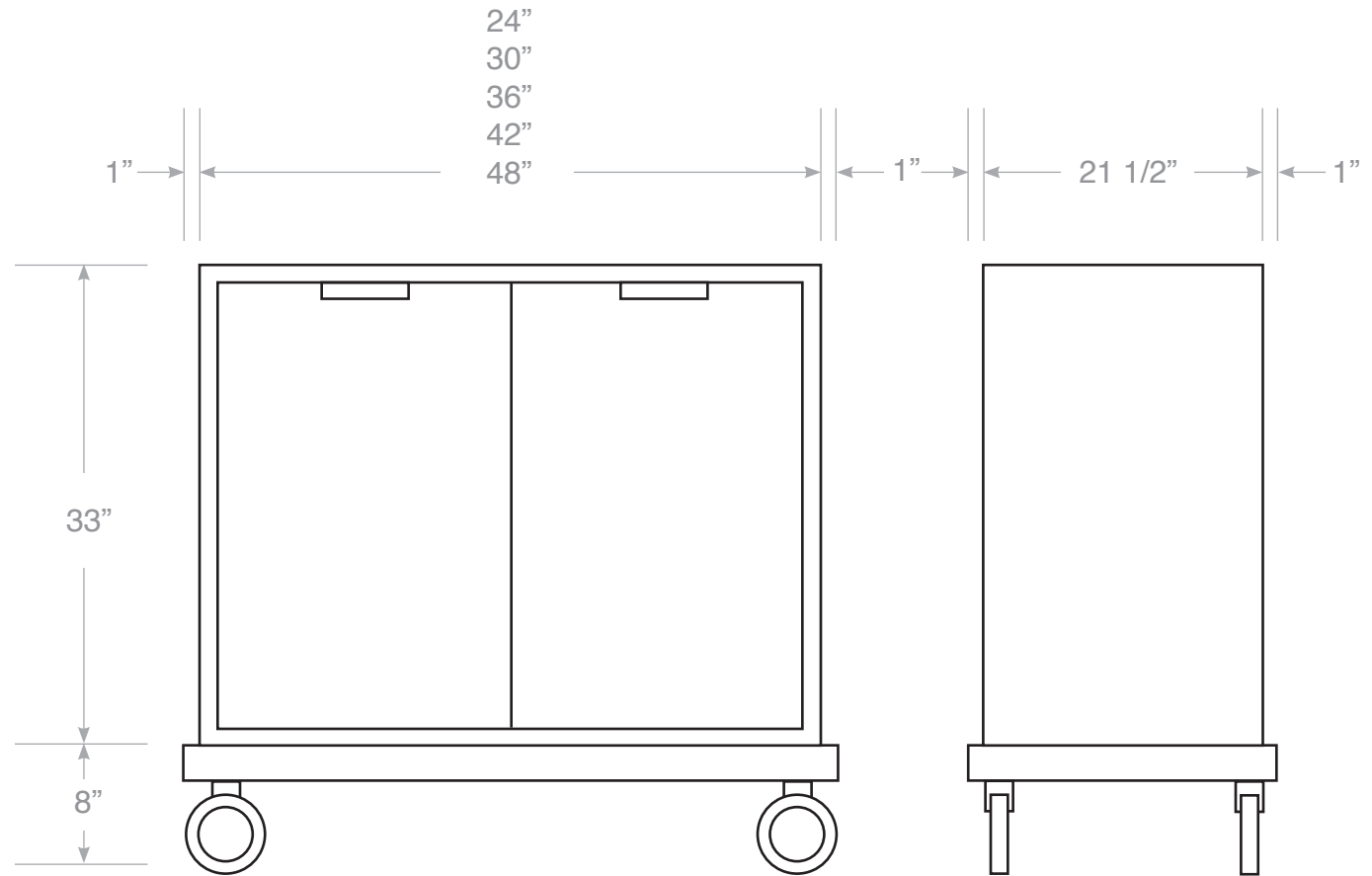
Optional are slide out shelves.



CARR

CCC Sizes, Model Numbers

- 24" Wide Model CCC243321
- 30" Wide Model CCC303321
- 36" Wide Model CCC363321
- 42" Wide Model CCC423321
- 48" Wide Model CCC483321



Carr Corporation

BACKGROUND INFORMATION

Carr Corporation was established in 1946 to build the finest quality medical equipment. Based in Santa Monica California, it has prominent installations on all continents, including Antarctica. It's innovative imaging systems were even selected for the SR-71 and Apollo moon landing programs. Our philosophy: "The greatest sophistication is simplicity" - *Leonardo Da Vinci*.

ADDRESS

Carr Corporation
1547 11th Street,
Santa Monica, California, USA
90401

CARR CORPORATION

carrcorp@aol.com - 800 952 2398

carrcorporation.com - 3/19 - Page 3

