

Specimen Pass Through SPT24

Two door stainless steel cabinet facilitates the collection of lab samples while maintaining patient privacy. Interlock prevents both doors opening at same time.

Smooth interior for easy cleaning. Mounting holes provided. Integral wall flange finishes wall opening. Optional opposing wall flange finishes wall on other side.

SPT24247: 24"W, 24"H, 7"D
Pass Thru for walls up to 6" thick.

SPT242411: 24"W, 24"H, 11"D
Pass Thru for walls up to 10" thick.

SPT242417: 24"W, 24"H, 17"D
Pass Thru for walls up to 16" thick.

WF2424: 24"W, 24"H Wall flange.
SPT24GD: Glass door window.

CARR CORPORATION
carrcorp@aol.com - 800 952 2398
carrcorporation.com - 12/13 - Page 1



Specimen Pass Through SPT24

GLASS DOOR OPTION can be added to one or both doors. Glass is tempered safety glass, 1/4" (.25") thick. Option SPT24GD.



SPECIMEN PASS THROUGH

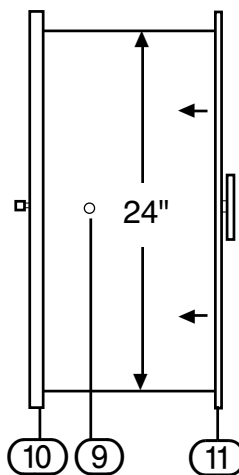
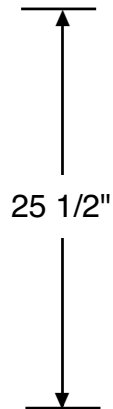
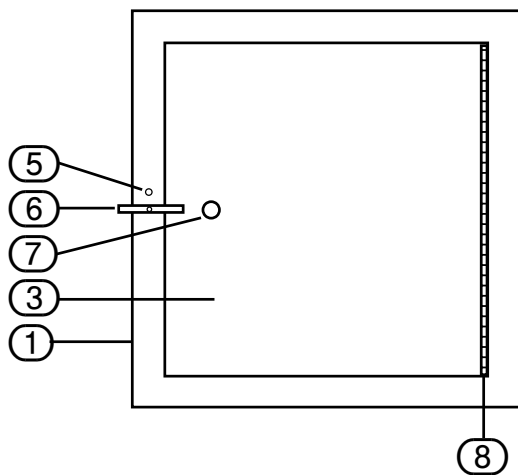
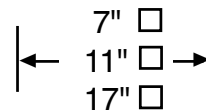
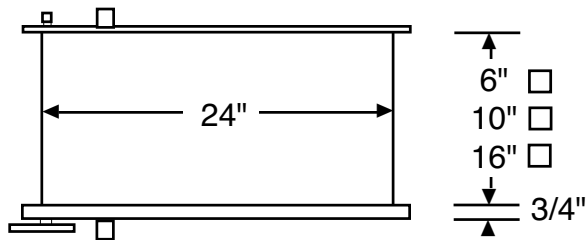
MODEL SPT24247, 7" DEEP

MODEL SPT242411, 11" DEEP

MODEL SPT242417, 17" DEEP

DATE: 12/2/13 DRAWING NO.: 369

DRAWN BY: *JJR*



- 1. STAINLESS STEEL, TYPE 304, NO. 4 FINISH THROUGHOUT.
- 2. DOUBLE WALL THROUGHOUT.
- 3. DOOR, 1 EACH SIDE.
- 4. DOOR INTERLOCK, ALLOWS ONLY ONE DOOR TO BE OPEN AT ONCE, NOT SHOWN.
- 5. INTERLOCK PUSH BUTTON.
- 6. DOOR RELEASE.
- 7. DOOR KNOB.
- 8. PIANO HINGE.
- 9. MOUNTING HOLES.
- 10. WALL FLANGE, FIXED.
- 11. WALL FLANGE, ADJUSTABLE POSITION FRONT TO BACK TO ACCOMODATE VARIOUS WALL THICKNESS, OPTIONAL.

NOTE: ONLY ITEMS WITH MARKED BOXES INCLUDED.

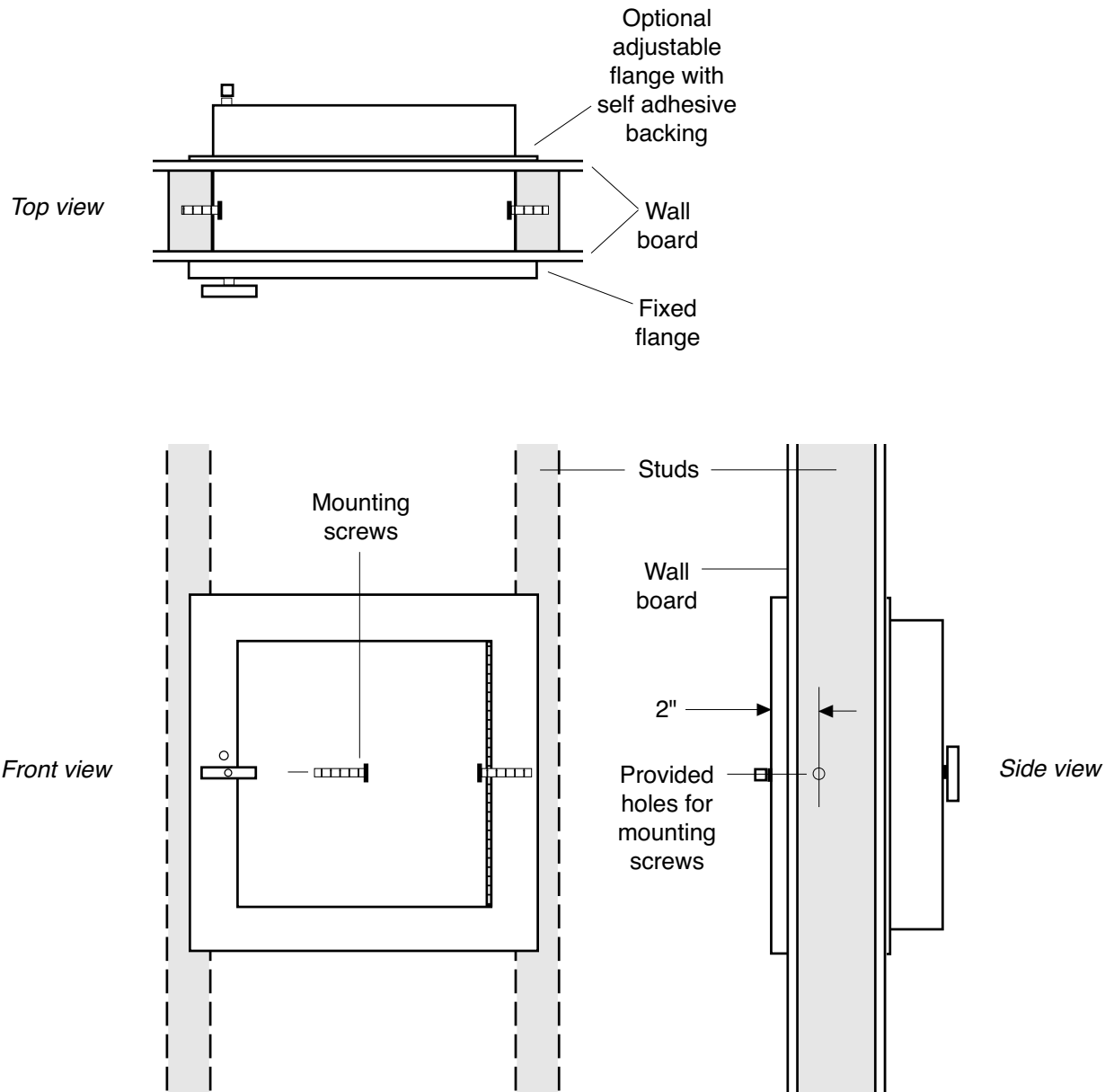
SUGGESTED WALL OPENING:
24 3/8" WIDE
24 3/8" HIGH

MAXIMUM WALL THICKNESS:
SPT24247: 6"
SPT242411: 10"
SPT242417: 16"

CARR

Carr Specimen Pass-through Installation, Operation & Maintenance

Manual No. 360 Revised 1/15



Installation

1. Check local codes before beginning installation.
2. Cut wall opening to size:
SPT12: 12 3/8" x 12 3/8".
SPT24: 24 3/8" x 24 3/8".
Frame opening at least on sides.
3. Insert cabinet into opening. Drill through provided mounting holes into wall studs. Insert appropriate mounting screws into holes and tighten.
4. Remove paper backing from optional adjustable wall flange, exposing high strength adhesive. On the opposite side of wall, slide wall flange over the cabinet and firmly against wall.

Operation

The cabinet maintains patient privacy by locking one door when the opposite door is open. To open door, push button and turn handle. If button will not push, the opposite door is open, wait for it to be closed and try again.

Maintenance

The cabinet is maintenance free. To clean, use a mild detergent with water and a clean cloth. Apply, then wipe off a light coat of mineral oil to make the stainless steel shine.

CARR



CARR

Established 1946

1547 11th Street
Santa Monica, CA
USA 90401

310 587 1113
800 952 2398

carrcorporation.com
carrcorp@aol.com