

SPC

Surgical Pass-through Cabinet

Designed for surgeries, labs.

Easily resupply sterile areas.

Smooth, sterilizable interior.

Stainless, inert, nonabsorbent.

Many widths, heights & depths.

Simple to plan, Install, adapt.



CARR

SPC

Carr Corporation

BACKGROUND INFORMATION

Carr Corporation was established in 1946 to build the finest quality medical equipment. Based in Santa Monica California, it has prominent installations on all continents, including Antarctica. It's innovative imaging systems were even selected for the SR-71 and Apollo moon landing programs. Our philosophy: "The greatest sophistication is simplicity" - *Leonardo Da Vinci*.

ADDRESS

Carr Corporation
1547 11th Street,
Santa Monica, CA, USA 90401

CARR CORPORATION

carrcorp@aol.com - 800 952 2398

carrcorporation.com - 9/18 - Page 2



SPC Features

Surgical Pass through Cabinets recess into walls between controlled environments and non-controlled areas. They have recess flanges on both sides. The inner flanges are removable to facilitate sliding into the wall cut-out.

Glass doors are normally fitted on the controlled side with solid stainless doors on the other side. Silicone door gaskets are optional to suppress air passage. All necessary mounting holes are pre-positioned to insure accuracy and ease of installation.



SPC Features

FULL HEIGHT PIANO HINGES for life-time service and effortless operation.

ROUNDED WINDOW CORNERS allow for easier and more thorough cleaning.

REINFORCED CABINET FACE for added strength and enhanced durability.

WELDED CONSTRUCTION throughout for strength, durability and smooth corners.



TEMPERED SAFETY GLASS that is double strength, 1/4" thick, scratch resistant.

SOLID STAINLESS STEEL HANDLES are easy to grip and can be thoroughly cleaned.

NYLON ROLLER DOOR CATCHES provide a smooth and positive closing action.



CARR CORPORATION
carrcorp@aol.com - 800 952 2398
carrcorporation.com - 9/18 - Page 4

SPC Features

SHELVES REINFORCED FOR STRENGTH.
Shelves height adjustable in 1/2" increments.
80" High cabinet comes with 5 shelves.
72" High cabinet comes with 4 shelves.
60" High cabinet comes with 3 shelves.
48" High cabinet comes with 2 shelves.
36" High cabinet comes with 1 shelves.
24" High cabinet comes with 0 shelves.

SMOOTH INTERIOR EASY TO STERILIZE.
Shelf ladders are flush perforations
in cabinet wall for tough cleaning.

FOR CONTROLLED ENVIRONMENTS.
Stainless is strong, inert, highly chemical resistant, non-absorbent with a integral finish that does not chip or flake.

PLANET FRIENDLY. 100% RECYCLABLE.
Stainless is made from 85% recycled material. Plastic and wood used in other case-work use up precious natural resources.

CARR CORPORATION
carrcorp@aol.com - 800 952 2398
carrcorporation.com - 9/18 - Page 5



SPC Features

FULLY PROTECTIVE SHIPPING CRATES are carefully designed and built to insure undamaged delivery. Returnable, reusable and made of biodegradable materials.



SIMPLE PLANNING, INSTALLATION. Government preapproved seismic calculations, CAD and submittal drawings ready to use. Step by step illustrated installation manual. Mounting holes provided, no drilling needed. Cabinet connectors insure precise alignment.

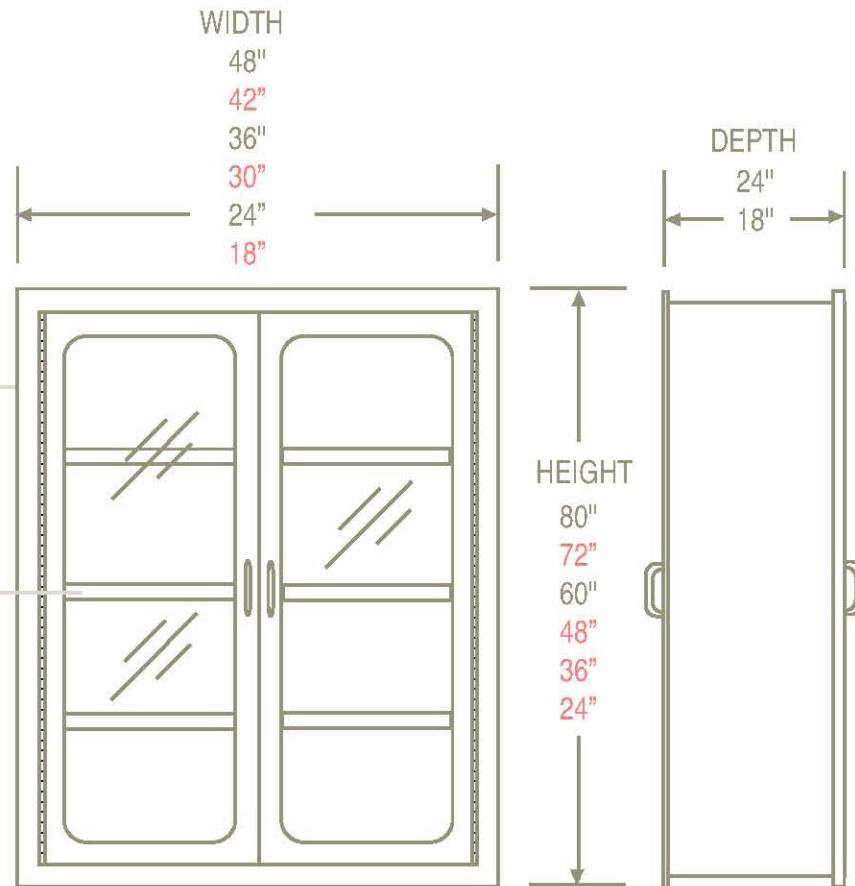


CARR CORPORATION
carrcorp@aol.com - 800 952 2398
carrcorporation.com - 9/18 - Page 6

SPC Pass Through Cabinet Sizes, Model Numbers

CABINET
Model SPC width height depth
Example: SPC486024

SHELVES, ADDITIONAL
Model SH width depth
Example: SH4824



Red indicates non-stock sizes, longer delivery, higher cost.

18" And 24" wide cabinets have one door on cabinet front hinged right, hinged left on cabinet back.

Front glass doors, solid rear doors standard. Other combinations available.

SPC Information

INSTALLATION ACCESSORIES

CC24	Cabinet connector, 24" H
CC36	Cabinet connector, 36" H
CC48	Cabinet connector, 48" H
CC60	Cabinet connector, 60" H
CC72	Cabinet connector, 72" H
CC80	Cabinet connector, 80" H

SPECIFICATIONS

DESIGN: Designed to the specifications set forth by Milspec, OSHPOD, JA, EU.

CONSTRUCTION: Heavy gauge type 304 stainless steel, welded modular assembly.

FINISH: No. 4 stainless steel finish. All welds ground, polished. No pits, scratches.

HINGES: Full height stainless piano type. Hinge metal .170" thick. Pin diameter .100". Self lubricating. Tested life of 750,000 cycles.

HANDLES: Solid stainless open design on 4.00" centers, hidden mounting screws.

DOOR CATCHES: Two .250" dia. nylon rollers, plated spring steel receptacles.

DRAWER SLIDES: Ball bearing, full extension & quick release. 250 Lbs. capacity.

GLASS: Tempered double strength safety glass .250" thick, clear, labeled.

SHELVES: Reinforced for strength on all four sides. Height adjustable in .500" increments on flush, built-in ladders.

INSTALLATION: Anchorage holes provided. Cabinet connectors to assure rapid, accurate alignment of multiple units. Complete installation manual included.

MISCELLANEOUS NOTES

LOCK KEYING: Locks are normally keyed alike. Keyed differently on request.

MATERIALS: Cabinets are stainless steel with components made of glass, coated steel, aluminum, nylon, silicone and similar materials. If your application precludes use of a particular material, please advise and we can suggest substitutions.

SHIPPING: Surface cabinets have top, side panels and base shipped separately and assembled in the field to reduce risk of freight damage. On request, cabinets can be shipped with components assembled.

COUNTRY OF ORIGIN: All items are designed and manufactured in the USA.

SEISMIC CALCULATIONS: Complete seismic calculations including OSHPD preapprovals are available on request.

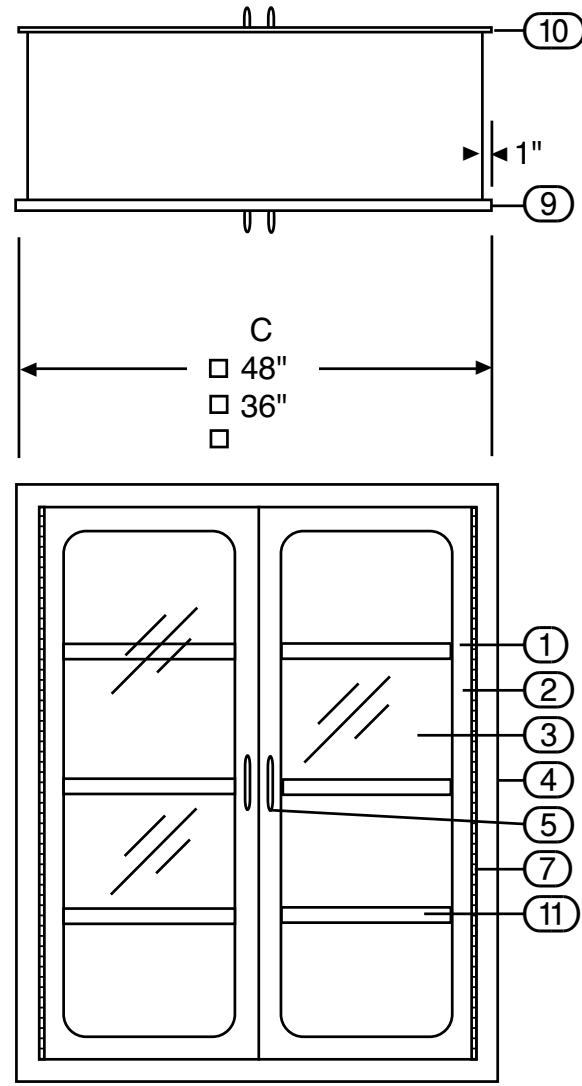
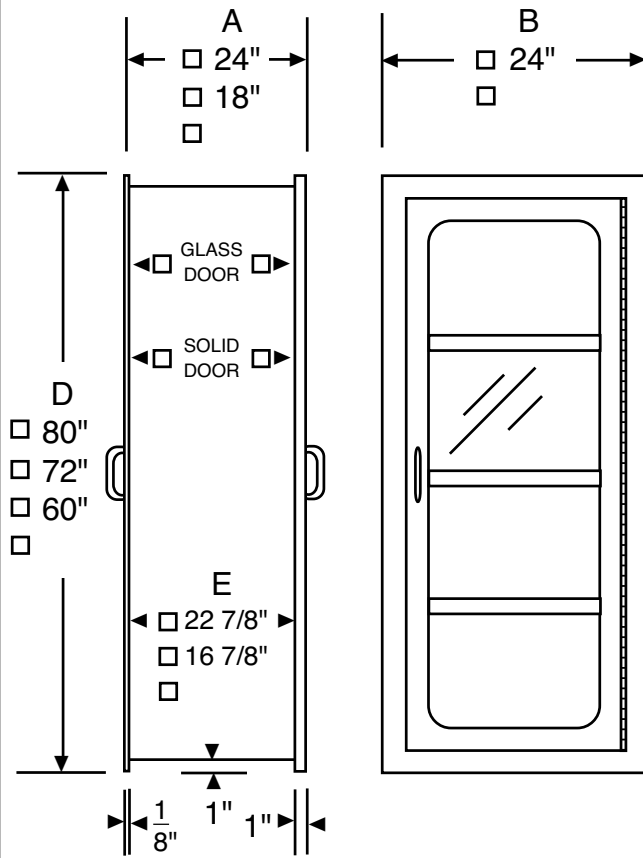
CAD DRAWINGS: Available on request. Ask for Carr document set number 1255.

ORDINARY USE: Carr SSC cabinets have not been designed for outdoor use.

PRODUCTION SCHEDULING: Place your order as early as possible in your construction project to insure production and delivery on site at the time needed.

**SURGICAL STORAGE CABINET
PASS THROUGH
MODEL SPC**

DATE: 4/5/13 SCALE: NOT TO SCALE
DRAWN BY: *ggr* DRAWING NO. 290



- 1. DOOR, SOLID SS, DOUBLE WALL, SOUND INSULATED.
- 2. DOOR, SINGLE GLAZED, DOUBLE WALL, 2" WIDE FRAME, SS.
- 3. GLASS, DBL STRENGTH, TEMPERED, 1/4" THICK, REMOVABLE.
- 4. STAINLESS, TYPE 304, # 4 FINISH.
- 5. HANDLE, SOLID STAINLESS STEEL.
- 6. FLUSH INTERIOR FACILITATING THOROUGH CLEANING.
- 7. PIANO HINGE, FULL HEIGHT, SS.
- 8. NYLON ROLLER DOOR CATCH, SPRING LOADED, NOT SHOWN.
- 9. RECESS FLANGE, SS, BUILT IN.
- 10. RECESS FLANGE, SS, REMOVABLE.
- 11. SHELF, HEIGHT ADJUSTABLE IN 1/2" INCREMENTS, SS.
80" HIGH CABINET 5 SHELVES.
72" HIGH CABINET 4 SHELVES.
60" HIGH CABINET 3 SHELVES.
SHELF QUANTITY ____.

NOTE: ONLY ITEMS WITH MARKED BOXES ARE INCLUDED.

ALL DIMENSIONS +- 1/8".

WALL OPENING:
WIDTH: TOTAL OF "B" OR "C"-1 1/2".
HEIGHT: "D" - 1 1/2".
WALL DEPTH: "E"





Carr Surgical Cabinets - Installation, Operation And Maintenance

Page 1 Installation Preparation

Page 2 Recess Mounted Cabinet Installation

Page 3 Surface Mounted Cabinet Installation

Page 4 Pass Through Cabinet Installation

Page 5 Operation And Maintenance

Manual Number 338, Revised 1/13

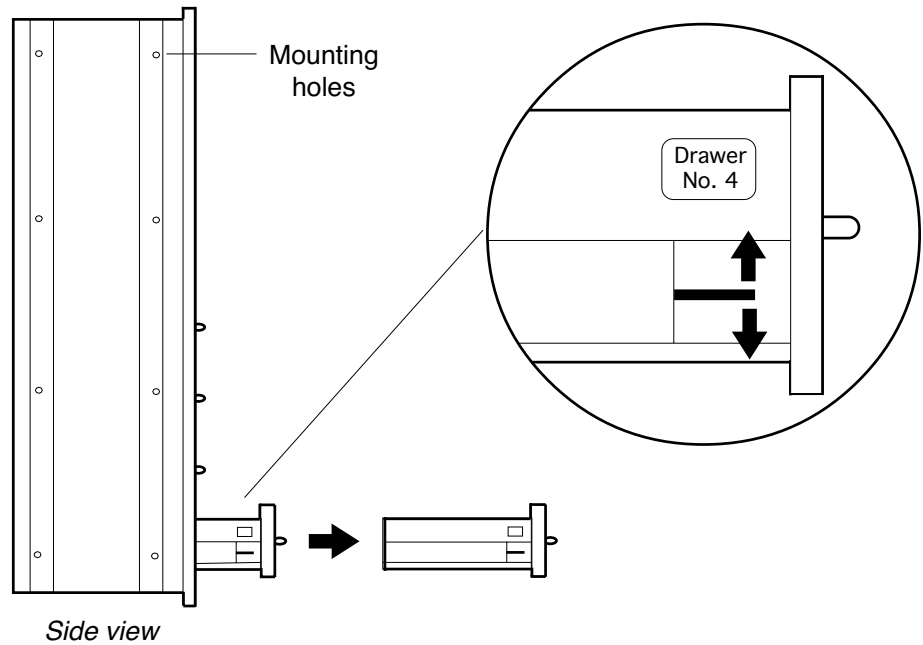
Carr Surgical Cabinets - Installation Preparation

Manual No. 338 Revised 1/13

Remove drawers to access mounting holes.

If cabinet has drawers, remove them to access mounting holes. Toggle latches to release.

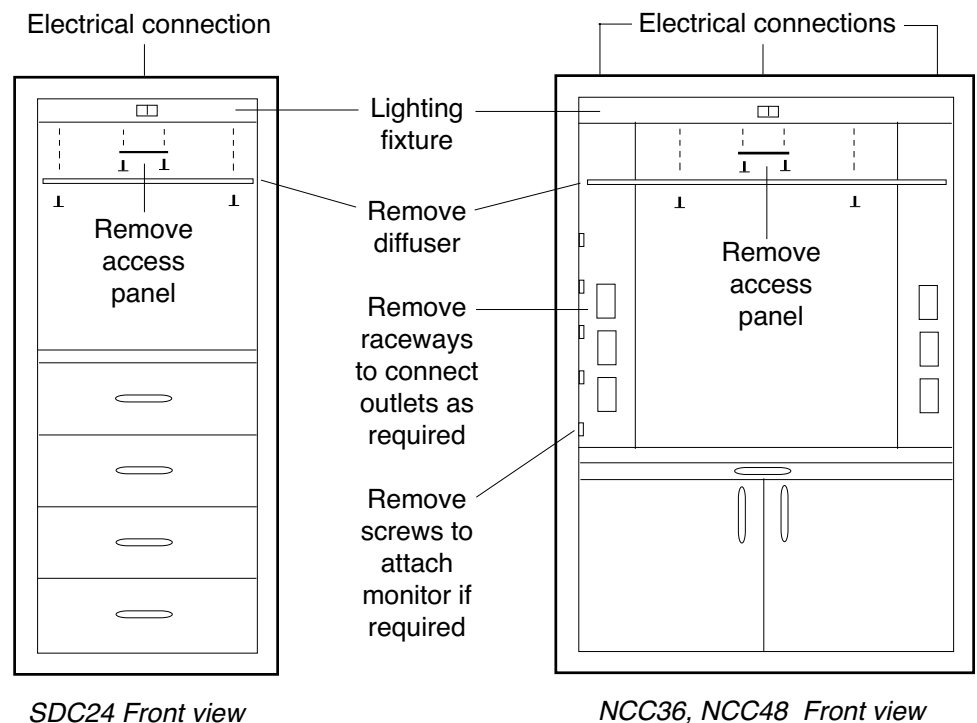
For correct alignment, replace drawers to their original position by matching the number on the inside of the cabinet to the number on side of drawer.



Make electrical connections:

Some cabinets require electrical connections. Do so in conformance with local codes using a qualified electrician.

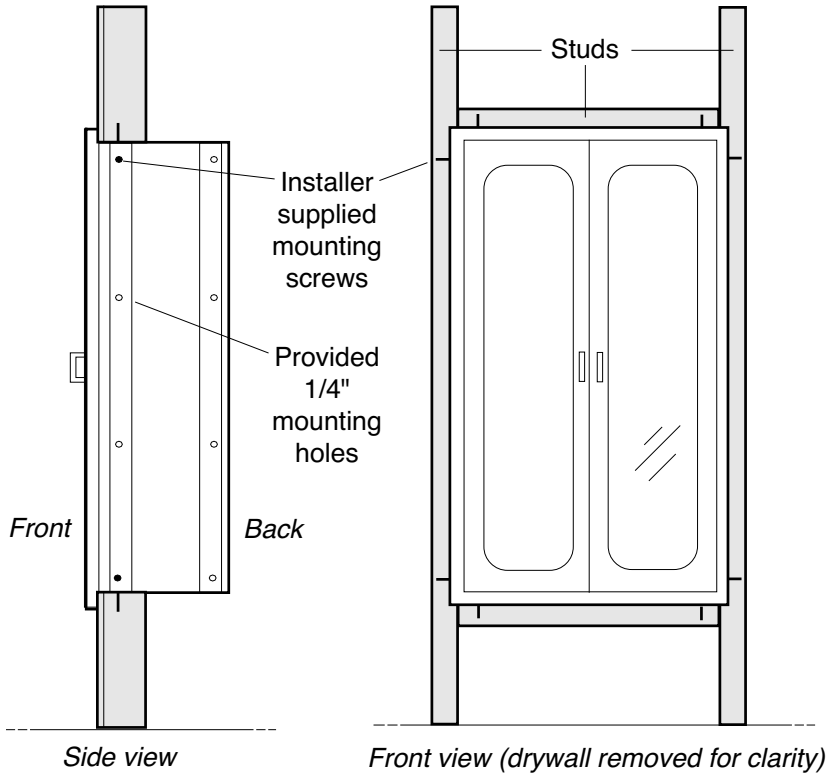
Route power and ground wires to cabinet. Make final connections by removing access panels.



Carr Surgical Cabinets - Recess Mounted Cabinet Installation

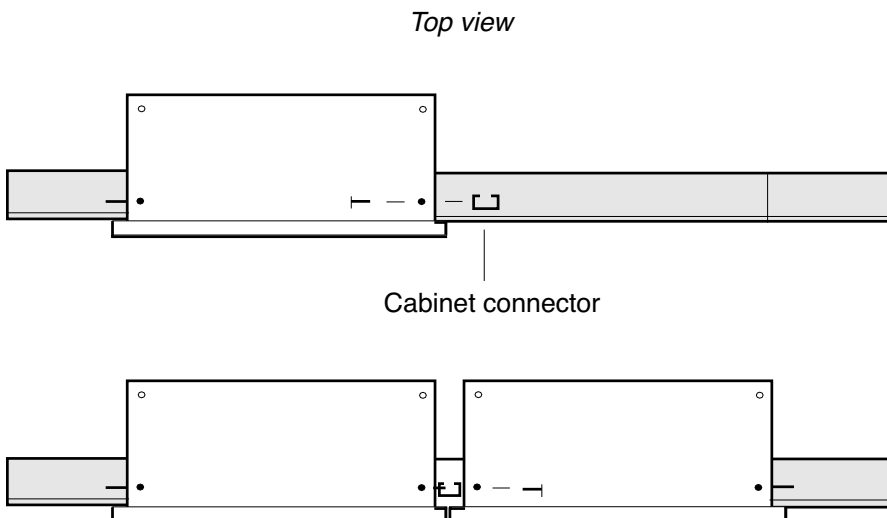
Manual No. 338 Revised 1/13

Cut wall opening, place cabinet and secure:



1. Check local codes. Seismic calculations available.
2. 1/4" Mounting holes provided. Mounting screws not supplied. Use screws suitable for wall material. All other screws, nuts provided.
3. Wall opening width is the front width of the cabinet(s), less 1 1/2".
4. Wall opening height is cabinet front height less 1 1/2".
5. Wall opening depth is cabinet side less 3/4"
6. Cut wall opening. Frame with stud material. Make sure cabinet mounting holes align with studs as shown. Check opening is square.
7. Slide cabinet into wall. Do not lift by door handles.
8. Install mounting screws into provided holes. Do not over torque and damage cabinet. Hand torque only.
9. If multiple cabinet installation, attach cabinet connector. Slide additional cabinet(s) into wall and secure screws to cabinet connector and mounting holes.
10. Check cabinet(s) are installed square to insure proper door movement. Shim as needed.

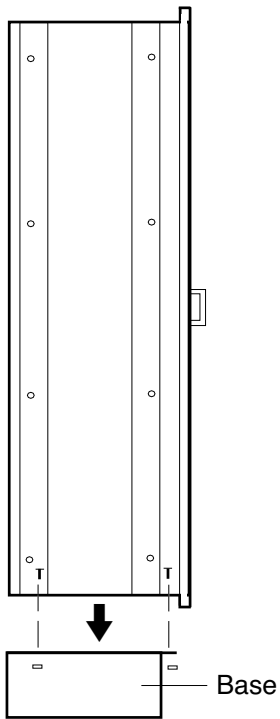
For multiple cabinet installation:



Carr Surgical Cabinets - Surface Mounted Cabinet Installation

Manual No. 338 Revised 1/13

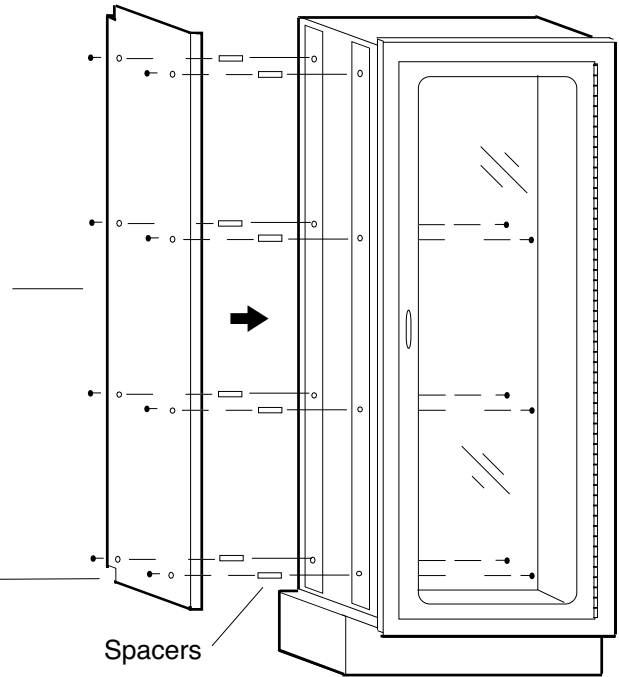
1. Secure base:



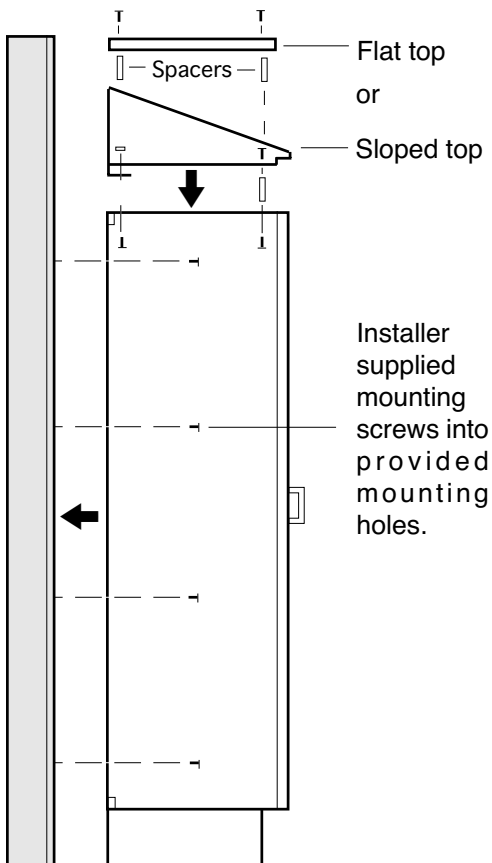
2. Secure side panels as required:

Place side panel with spacers on exposed side of cabinet and loosely attach inside screws. Perfect alignment, eliminating any gaps and tighten inside screws. Side panels not required between cabinets.

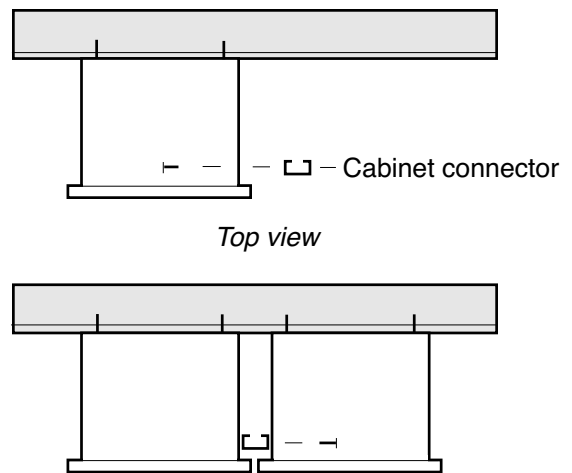
Notches in back



3. Secure top, then bolt cabinet to wall:



For multiple cabinet installation:

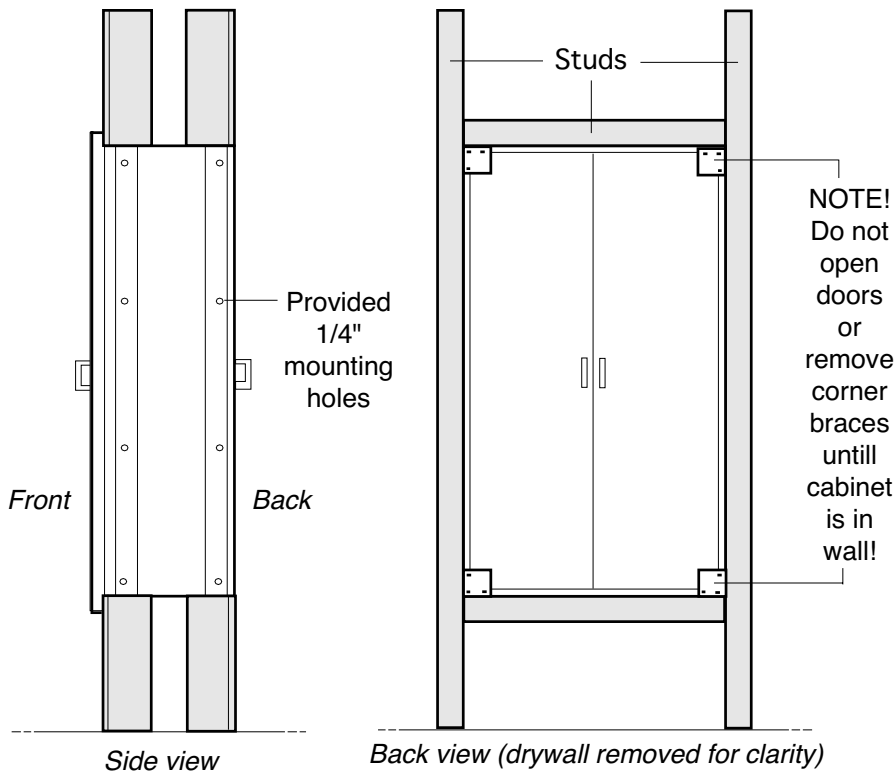


1. Check local codes. Seismic calculations available.
2. 1/4" Mounting holes provided. Mounting screws not supplied, use screws suitable for wall material. All other screws and nuts provided.
3. Do not lift cabinet by door handles.
4. Be sure cabinet is installed square to insure proper door movement.
5. Do not over torque mounting screws and damage cabinet. Hand torque only.

Carr Surgical Cabinets - Pass Through Cabinet Installation

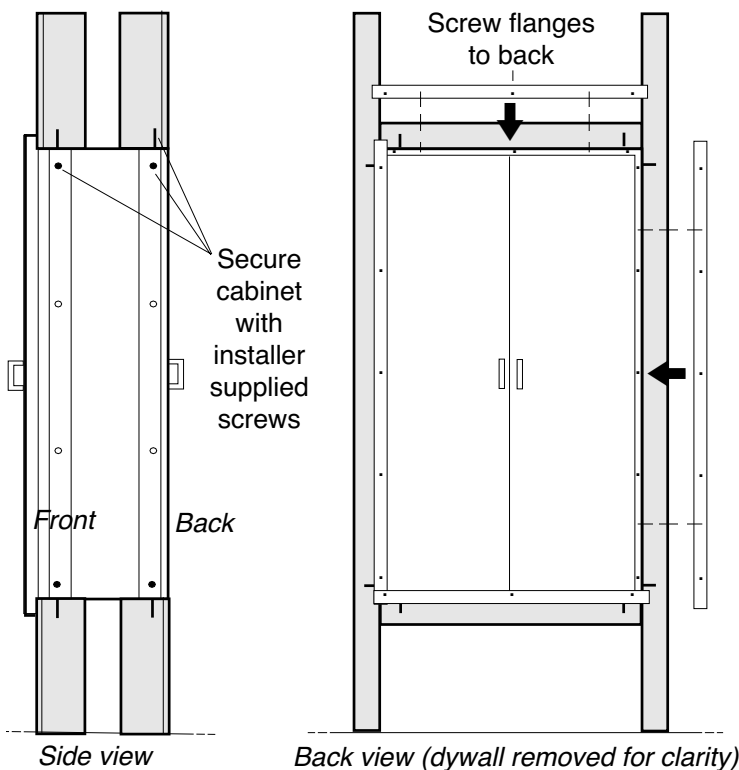
Manual No. 338 Revised 1/13

1. Cut wall opening and place cabinet:

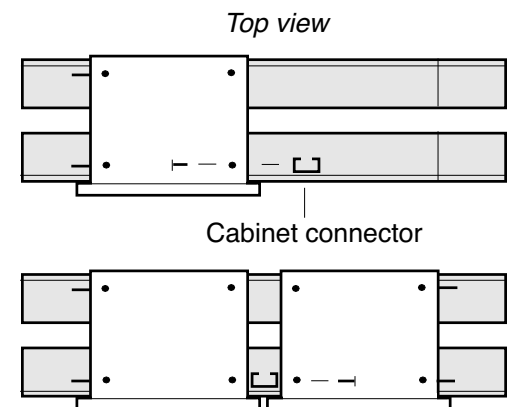


1. Check local codes. Seismic calculations available.
2. 1/4" Mounting holes provided. Mounting screws not supplied. Use screws suitable for wall material. All other screws, nuts provided.
3. Wall opening width is the front width of the cabinet(s), less 1 1/2".
4. Wall opening height is cabinet front height less 1 1/2".
5. Wall opening depth is cabinet side less 3/4".
6. Cut wall opening. Frame with stud material. Make sure cabinet mounting holes align with studs as shown. Check opening is square.
7. Slide cabinet into wall. Do not lift by door handles.
8. Install mounting screws into provided holes. Do not over torque and damage cabinet. Hand torque only.
9. If multiple cabinet installation, attach cabinet connector. Slide additional cabinet(s) into wall and secure screws to cabinet connector and mounting holes.
10. Check cabinet(s) are installed square to insure proper door movement. Shim as needed.

2. Secure cabinet to wall, attach flanges:



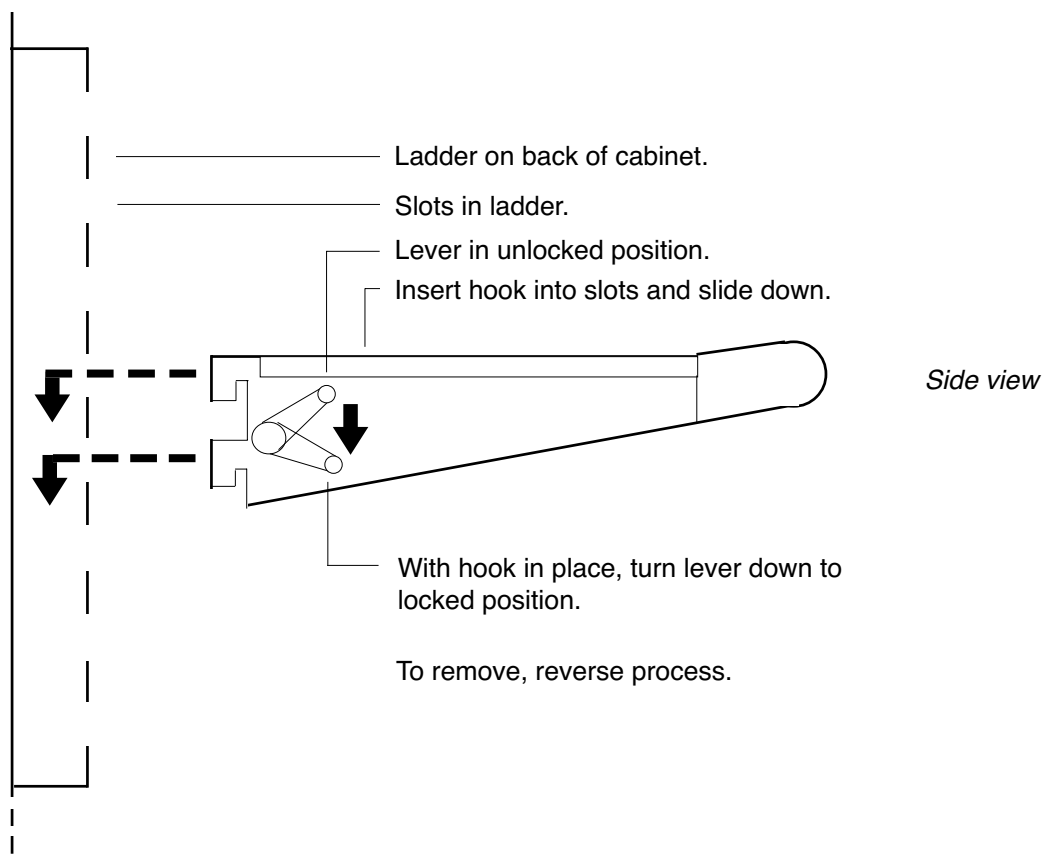
For multiple cabinet installation:



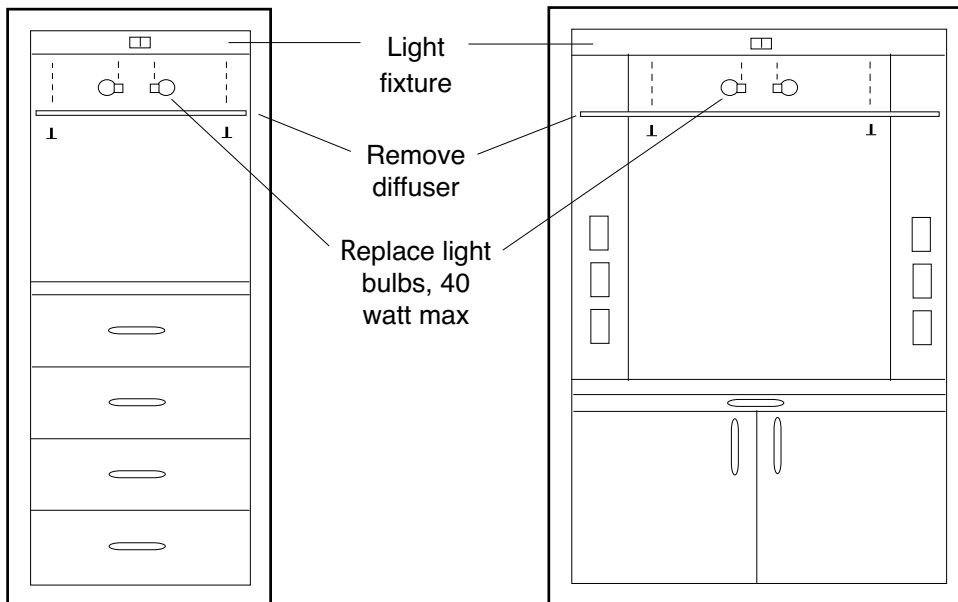
Carr Surgical Cabinets - Operation And Maintenance

Manual No. 338 Revised 1/13

Placing / removing hooks on STC cabinets:



Replacing light bulbs:



SDC24 Front view

NCC36,NCC48 Front view

Cleaning:

Clean with a soft cloth dampened with isopropyl alcohol. If using other cleaners, use caution and test first. Some can damage or cause corrosion to the cabinet and its components. Do not expose cabinet to an excess of any liquid. Thoroughly dry cabinet with soft dry cloth. Rub all cloths in direction of grain, not in a circular motion to preserve finish.