

Narcotics Locker NL20

Large size stainless steel narcotics locker designed to federal standards for narcotics storage.

Size: 18" wide, 30" high, 12" deep.

Two doors, one behind another, for layered security. Each door has a core lock, keyed different. Outer door cannot be closed if key is left in inner door. Keys not removable in unlocked position.

Welded heavy gauge double wall reinforced construction. Full height piano hinge with welded pin. 3 Shelves, height adjustable.

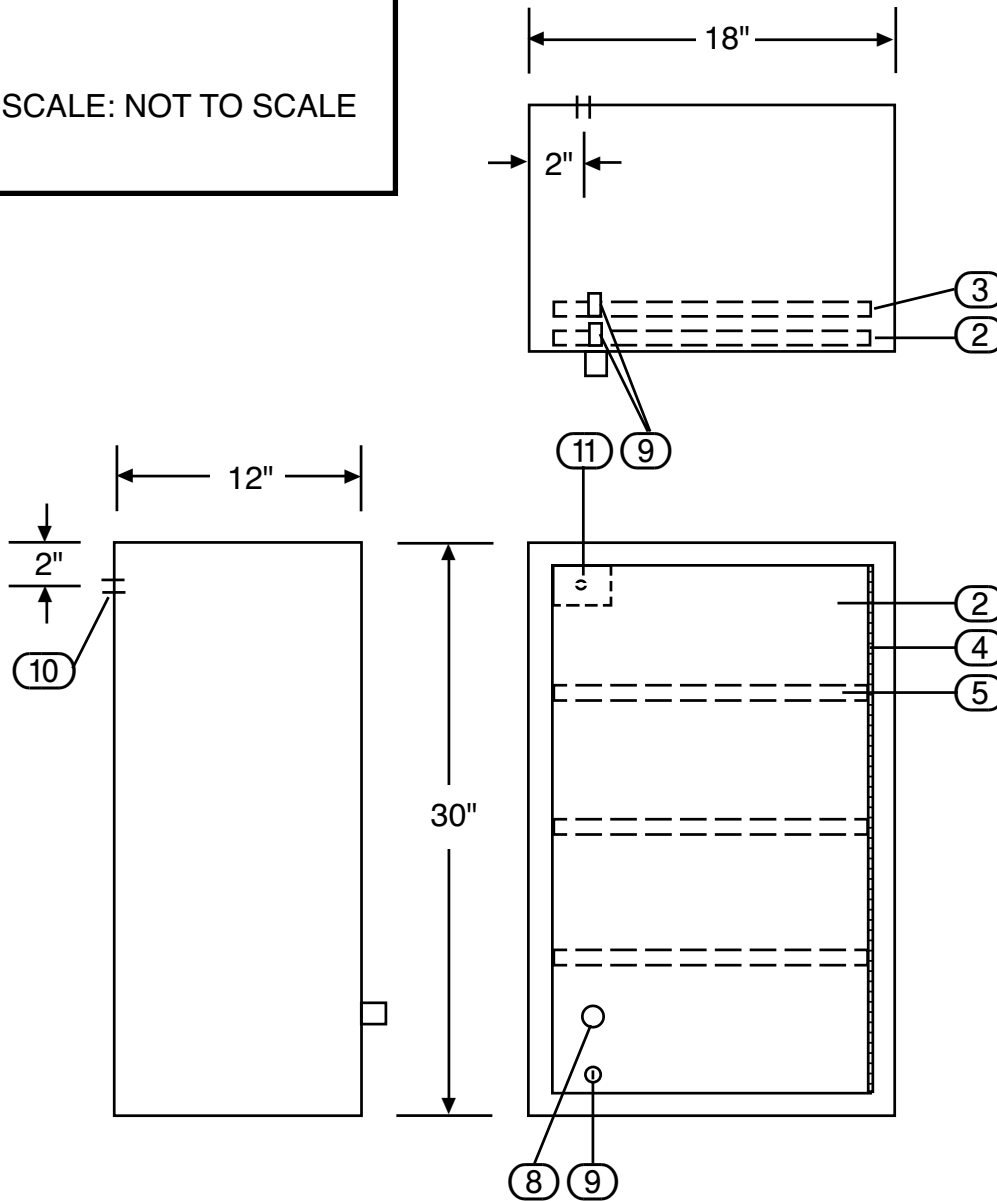
Optional door switch activates optional remote warning light when door is in the open position.

NL20: Narcotics locker, large size.
DSW: Door switching system.
RWL: Remote red warning light.



**CARR NARCOTICS LOCKER
MODEL NL20**

DATE: 3/28/13 SCALE: NOT TO SCALE
DRAWN BY: *jjr*



- 1. TYPE 304, #4 FINISH STAINLESS STEEL, DOUBLE WALL CONSTRUCTION THROUGHOUT.
- 2. DOOR, OUTER, DOUBLE WALL.
- 3. DOOR, INNER, DOUBLE WALL.
- 4. PIANO HINGE, FULL HEIGHT, SS.
- 5. SHELF, HEIGHT ADJUSTABLE IN 1/2" INCREMENTS.
- 6. SHELF LADDERS, PERFORATIONS IN WALL, NOT SHOWN.
- 7. NYLON ROLLER DOOR CATCH, SPRING LOADED, NOT SHOWN.
- 8. DOOR KNOB.
- 9. LOCK, CYLINDER, CHANGEABLE CORE, KEY REMOVABLE IN LOCKED POSITION ONLY. DOORS KEYED DIFFERENT.
- 10. 7/8" DIA. K.O. FOR 120 VOLT ELECTRICAL CONNECTION.
- 11. SWITCH FOR REMOTE WARNING LIGHT, OPTIONAL.
- 12. REMOTE WARNING LIGHT, NOT SHOWN, OPTIONAL.

NOTE: ONLY ITEMS WITH MARKED BOXES ARE INCLUDED.

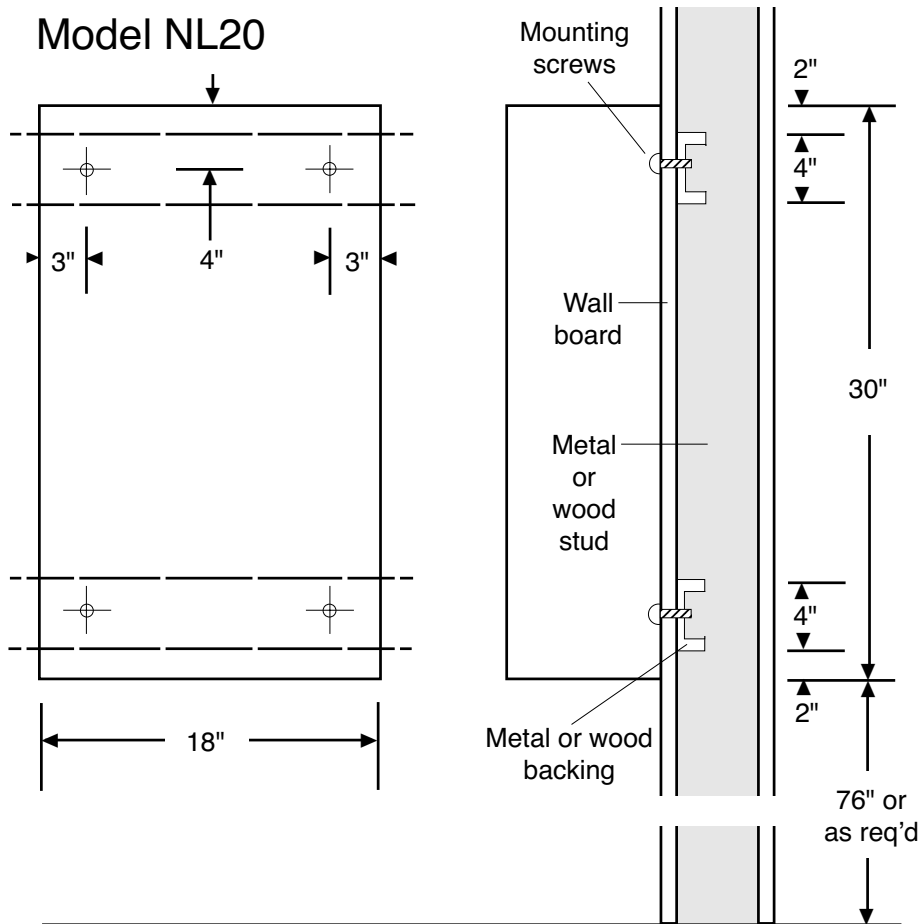
CARR

Carr Narcotics Locker

Installation, Operation & Maintenance

Manual No. 371 Revised 4/13

Model NL20



Installation

1. Check local codes before beginning installation.
2. Drill holes in back of cabinet in locations shown to attach to backing. If backing is not used and instead you choose to screw directly into studs (if possible), drill holes in back of cabinet at appropriate locations.
3. Place cabinet on wall and secure with screws appropriate for type of wall material.
4. Check that cabinet is level.

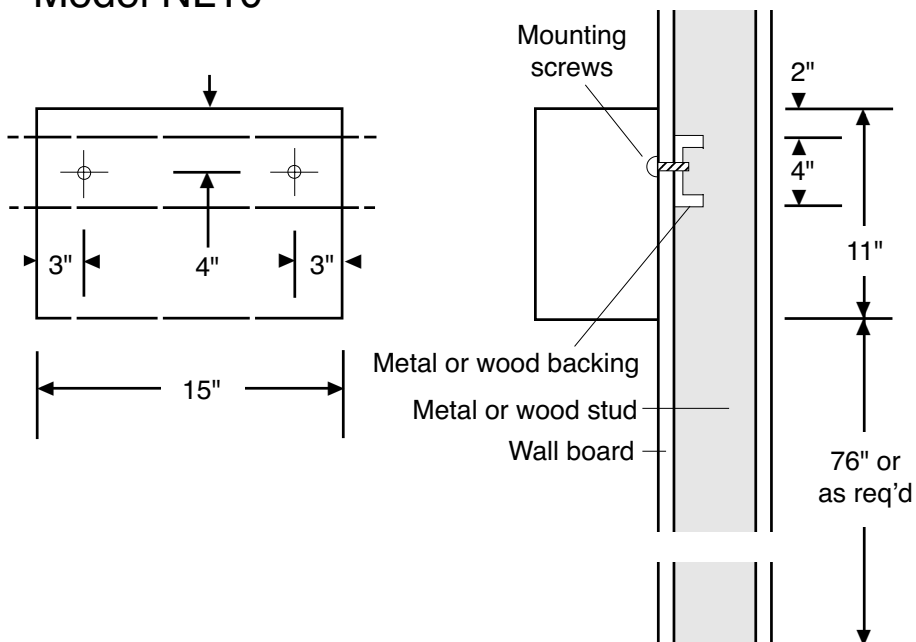
Operation

Cabinet can be unlocked using provided keys. Keys cannot be removed in the unlocked position. If key is lost or locks need to be changed, contact Carr.

Maintenance

The cabinet is maintenance free. To clean, use a mild detergent with water and a soft cloth. Wiping cabinet with a mineral oil on a soft cloth will make the stainless steel shine.

Model NL10



CARR



CARR

Established 1946

1547 11th Street
Santa Monica, CA
USA 90401

310 587 1113
800 952 2398

carrcorporation.com
carrcorp@aol.com