

# SSC Surgical Storage Cabinets

DESIGNED FOR SURGERY, LABS.  
MADE FOR EASY STERILIZATION.  
RECESS, SURFACE, PASS THRU.  
MANY SIZES TO FIT ANY SPACE.  
OPTIONS TO STORE SPECIALTY ITEMS.  
ADAPTABLE AS NEEDS CHANGE.  
SIMPLE TO PLAN, INSTALL, ADAPT.



**CARR**

# Carr Is Quality

CARR WAS ESTABLISHED IN 1946 to build the finest quality medical equipment. Based in Santa Monica California, it has prominent installations on all continents, including Antarctica. Its innovative imaging systems were even selected for the SR-71 and Apollo moon landing programs. Our design philosophy: "The greatest sophistication is simplicity" - Da Vinci.



## DATA SHEET TABLE OF CONTENTS

Versions.....	3
Features.....	4
Options.....	7
Surface Sizes, Models.....	15
Recess Sizes, Models.....	16
Pass Through Sizes, Models.....	17
Installation Accessories.....	18
Specifications.....	18
Miscellaneous Notes.....	18
Submittal Drawings.....	19
Install, Ops & Maint. Manual.....	22



# SSC Versions

SURFACE MOUNTED CABINETS.



RECESS MOUNTED CABINETS.



PASS THROUGH CABINETS.



# SSC Features

FULL HEIGHT PIANO HINGES for life-time service and effortless operation.

ROUNDED WINDOW CORNERS allow for easier and more thorough cleaning.

REINFORCED CABINET FACE for added strength and enhanced durability.

WELDED CONSTRUCTION throughout for strength, durability and smooth corners.



TEMPERED SAFETY GLASS that is double strength, 1/4" thick, scratch resistant.

SOLID STAINLESS STEEL HANDLES are easy to grip and can be thoroughly cleaned.

NYLON ROLLER DOOR CATCHES provide a smooth and positive closing action.



# SSC Features

## SHELVES REINFORCED FOR STRENGTH.

Shelves height adjustable in 1/2" increments.  
80" High cabinet comes with 5 shelves.  
72" High cabinet comes with 4 shelves.  
60" High cabinet comes with 3 shelves.  
48" High cabinet comes with 2 shelves.  
36" High cabinet comes with 1 shelves.  
24" High cabinet comes with 0 shelves.

## SMOOTH INTERIOR EASY TO STERILIZE.

Shelf ladders are flush perforations in cabinet wall for tough cleaning.

## FOR CONTROLLED ENVIRONMENTS.

Stainless is strong, inert, highly chemical resistant, non-absorbent with a integral finish that does not chip or flake.

## PLANET FRIENDLY. 100% RECYCLABLE.

Stainless is made from 85% recycled material. Plastic and wood used in other case-work use up precious natural resources.

## CARR CORPORATION

carrcorp@aol.com - 800 952 2398  
carrcorporation.com - 4/13 - Page 5



# SSC Features

FULLY PROTECTIVE SHIPPING CRATES are carefully designed and built to insure undamaged delivery. Returnable, reusable and made of biodegradable materials.



SIMPLE PLANNING, INSTALLATION. Government preapproved seismic calculations, CAD and submittal drawings ready to use. Step by step illustrated installation manual. Mounting holes provided, no drilling needed. Cabinet connectors insure precise alignment.



CARR CORPORATION  
carrcorp@aol.com - 800 952 2398  
carrcorporation.com - 4/13 - Page 6



## SSC Options

SLOPED TOPS make dust removal easy.  
Adds 9" to overall cabinet height. Option ST.

SOLID STAINLESS DOORS can be ordered instead of standard glass doors.  
Solid doors are sound insulated. Option SD.

DRAWERS available in 4", 6", 8" and 12" heights.  
Drawers glide open effortlessly on ball bearing slides. Option DW

**CARR CORPORATION**  
carrcorp@aol.com - 800 952 2398  
carrcorporation.com - 4/13 - Page 7



# SSC Options

HALF SHELVES allow the other half of the cabinet to be open for hanging tall items such as catheters or endoscopes. Requires Back Track option. Option HS.



LOCKS can be added for security and be all keyed alike or different. Locks can be changed in just a few minutes. For a door lock, order Option DORLOK. For a drawer lock, order Option DWRLOK.

CASTERS are rubber 3" diameter with smooth rolling ball bearings. Some cabinet height restrictions apply. Option CS.





## SSC Options

SHELF DIVIDERS help organize supplies. Adjust position laterally as needed. Available in 3", 6", 9" heights. Option SD.



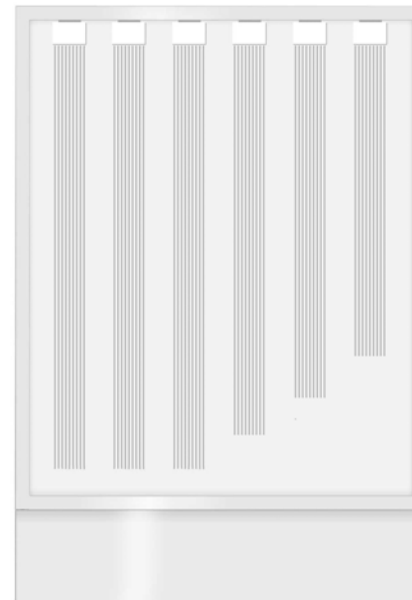
PULL OUT SHELVES smoothly bring storage items within easy reach. Can be used as a desk. Height adjustable and removable in minutes. Option PS.



**CARR CORPORATION**  
carrcorp@aol.com - 800 952 2398  
carrcorporation.com - 4/13 - Page 9

# SSC Options

CATHETER RACKS smoothly extend for easy access. Each has 6 hooks and a card holder. Several can be placed at the top of the cabinet or under a shelf. Retracted length is 16 1/2". Option CR16.



# SSC Options

SHELF DRAWERS are stainless steel and glide in and out on drawer slides. The shelf they reside on can be positioned at any height in minutes. Shelf drawers are available in a variety of widths. Standard heights are 3", 6" and 9". Option SDW.



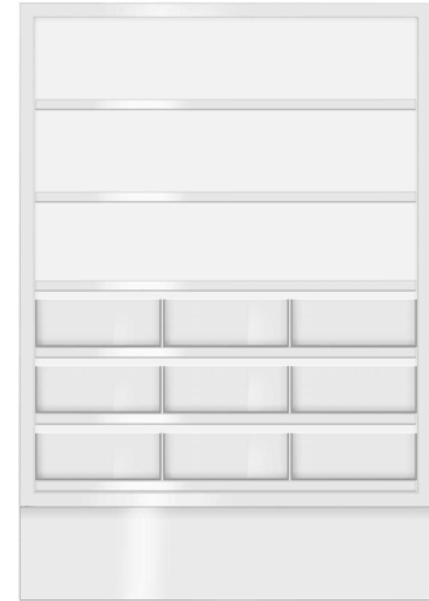
# SSC Options

STORAGE BINS are clear, lightweight, shatterproof Lexan. Easily see and access supplies. They can be placed anywhere in almost any combination and be repositioned in minutes. Bins easily slide in and out between guides and are removable. Internal adjustable dividers optional. 10", 20" Widths. 3", 6", 9" Heights. 16 3/4", 22 3/4" Depths. Option BIN.



LEFT - On 18" and 24" wide cabinets, a single bin can span the cabinet width.

RIGHT - On wider cabinets, bins sit on shelves. Each shelf can have several bins.



# SSC Options

**BACK TRACKS** hold hooks and hangers on back of cabinet. Hang items too big or heavy for pegboards and small items as well. Back Tracks easily removed for thorough cleaning. Option BT.

**UTILITY HOOKS** can store bigger, bulky items like table accessories. Silicone rubber prevents damage. Length is 6". Quick release lock. Option UH6.

**SMALL UTILITY HOOKS** hold catheters or various other smaller items. Length is 6". Quick release lock. Option CH6.

**ENDOSCOPE HANGERS** securely hold one scope in a non-marring nylon cradle. Quick release lock. Option EH6. Drip tray for scope hangers. Option DT. Air circulation fan for cabinet. Option FN.

**CARR CORPORATION**  
carrcorp@aol.com - 800 952 2398  
carrcorporation.com - 4/13 - Page 13



Utility hook



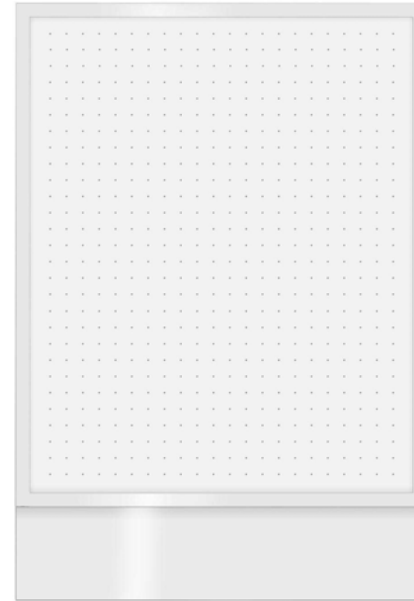
Small utility hook



Endoscope hanger

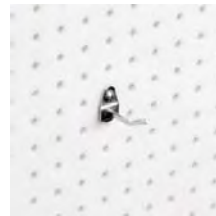
# SSC Options

PEGBOARDS are stainless steel or white nylon, not wood. Cover the entire back of the cabinet or only a portion. Pegboards accomodate a variety of traditional medium duty hooks and attachments. Option PB.

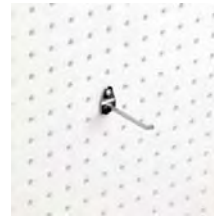


PEGBOARD ATTACHMENT OPTIONS are secured with screws, chrome plated.

- Hook, 2" long           Option PBA1
- Hook, 4 1/2" long       Option PBA2
- Hook, 6" long           Option PBA3
- Hook, double, 6" long   Option PBA4
- Hook, loop, 5" L, 3" W   Option PBA5
- Hook, curved, 2 1/2" L   Option PBA6
- Hook, curved, 4" L       Option PBA7
- Tool holder, 3/4" ID      Option PBA8
- Loop, 3" L, 1 3/4" W ID   Option PBA9
- Clip, 7/8" L, 1/2" W      Option PBA10



PBA1



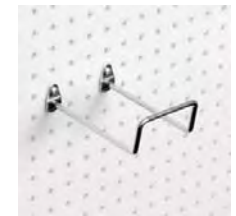
PBA2



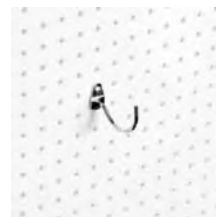
PBA3



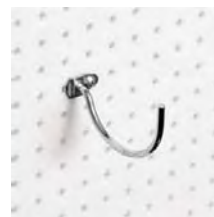
PBA4



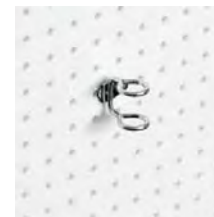
PBA5



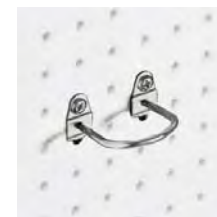
PBA6



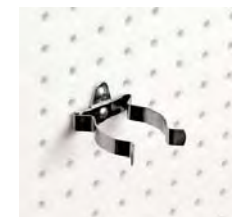
PBA7



PBA8



PBA9



PBA10

# SSC Surface Cabinet Sizes, Model Numbers

## SLOPED TOP

Model ST width depth  
Example: ST4824

## FLAT TOP

Model FT width depth  
Example: FT4824

## CABINET

Model SSC width height depth  
Example: SSC486024

## SHELVES, ADDITIONAL

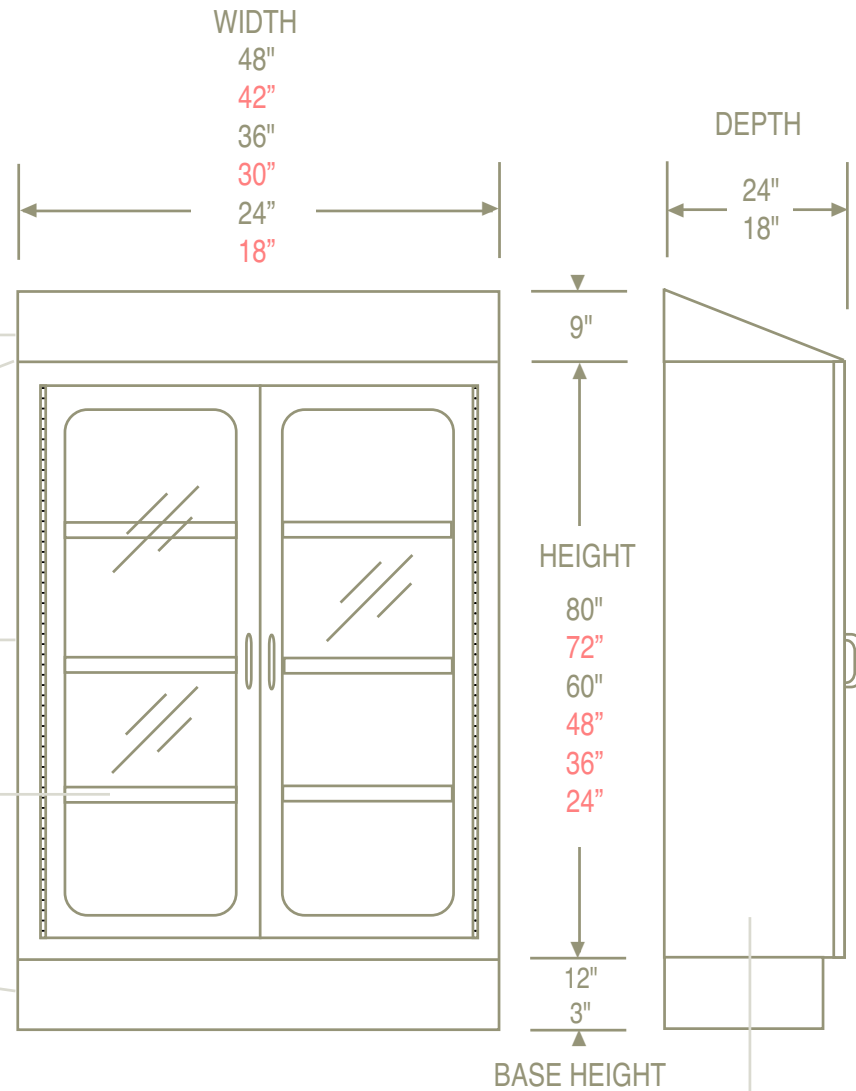
Model SH width depth  
Example: SH4824

## BASE

60" H cabinet 12" H base. All others 3"H.  
Model BS width , base height , depth  
Example: BS481224

## SIDE PANELS

Cosmetic panels for exposed sides.  
Model SP height depth  
Example: SP6024



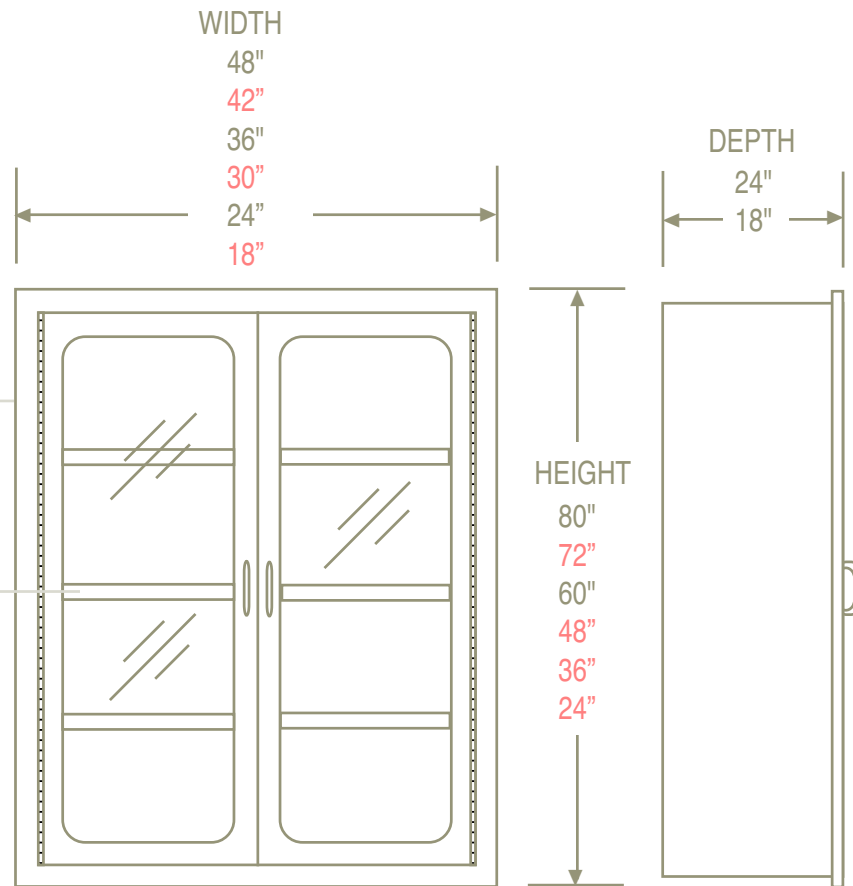
Red indicates non-stock sizes, longer delivery, higher cost.  
18" And 24" wide cabinets have one door, hinged right.



# SSC Recess Cabinet Sizes, Model Numbers

CABINET  
Model SSC width height depth  
Example: SSC486024

SHELVES, ADDITIONAL  
Model SH width depth  
Example: SH4824

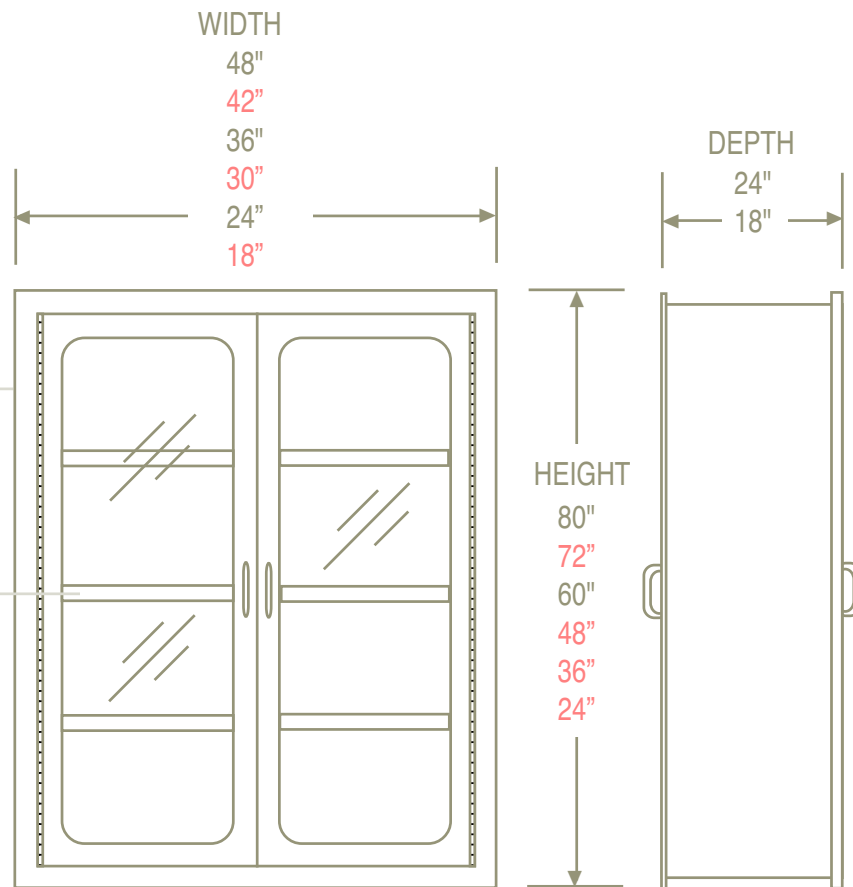


Red indicates non-stock sizes, longer delivery, higher cost.  
18" And 24" wide cabinets have one door, hinged right.

# SSC Pass Through Cabinet Sizes, Model Numbers

CABINET  
Model SPC width height depth  
Example: SPC486024

SHELVES, ADDITIONAL  
Model SH width depth  
Example: SH4824



Red indicates non-stock sizes, longer delivery, higher cost.

18" And 24" wide cabinets have one door on cabinet front hinged right, hinged left on cabinet back.

Front glass doors, solid rear doors standard. Other combinations available.

# SSC Information

## INSTALLATION ACCESSORIES

CC24 Cabinet connector, 24" H  
CC36 Cabinet connector, 36" H  
CC48 Cabinet connector, 48" H  
CC60 Cabinet connector, 60" H  
CC72 Cabinet connector, 72" H  
CC80 Cabinet connector, 80" H

FCB24 Filler, cabinet body, 24"H  
FCB36 Filler, cabinet body, 36"H  
FCB48 Filler, cabinet body, 48"H  
FCB60 Filler, cabinet body, 60"H  
FCB72 Filler, cabinet body, 72"H  
FCB80 Filler, cabinet body, 80"H

FBS3 Filler, base, 3"H  
FBS12 Filler, base, 12"H

FFT18 Filler, flat top, 18"D  
FFT24 Filler, flat top, 24"D

FST18 Filler, sloped top, 18"D  
FST24 Filler, sloped top, 24"D

FSWH Filler, soffit, width, height

SAH Shelf accessory holes

## SPECIFICATIONS

**DESIGN:** Designed to the specifications set forth by Milspec, OSHPOD, JA, EU.

**CONSTRUCTION:** Heavy gauge type 304 stainless steel, welded modular assembly.

**FINISH:** No. 4 stainless steel finish. All welds ground, polished. No pits, scratches.

**HINGES:** Full height stainless piano type. Hinge metal .170" thick. Pin diameter .100". Self lubricating. Tested life of 750,000 cycles.

**HANDLES:** Solid stainless open design on 4.00" centers, hidden mounting screws.

**DOOR CATCHES:** Two .250" dia. nylon rollers, plated spring steel receptacles.

**DRAWER SLIDES:** Ball bearing, full extension & quick release. 250 Lbs. capacity.

**GLASS:** Tempered double strength safety glass .250" thick, clear, labeled.

**SHELVES:** Reinforced for strength on all four sides. Height adjustable in .500" increments on flush, built-in ladders.

**INSTALLATION:** Anchorage holes provided. Cabinet connectors to assure rapid, accurate alignment of multiple units. Complete installation manual included.

## MISCELLANEOUS NOTES

**LOCK KEYING:** Locks are normally keyed alike. Keyed differently on request.

**MATERIALS:** Cabinets are stainless steel with components made of glass, coated steel, aluminum, nylon, silicone and similar materials. If your application precludes use of a particular material, please advise and we can suggest substitutions.

**SHIPPING:** Surface cabinets have top, side panels and base shipped separately and assembled in the field to reduce risk of freight damage. On request, cabinets can be shipped with components assembled.

**COUNTRY OF ORIGIN:** All items are designed and manufactured in the USA.

**SEISMIC CALCULATIONS:** Complete seismic calculations including OSHPD preapprovals are available on request.

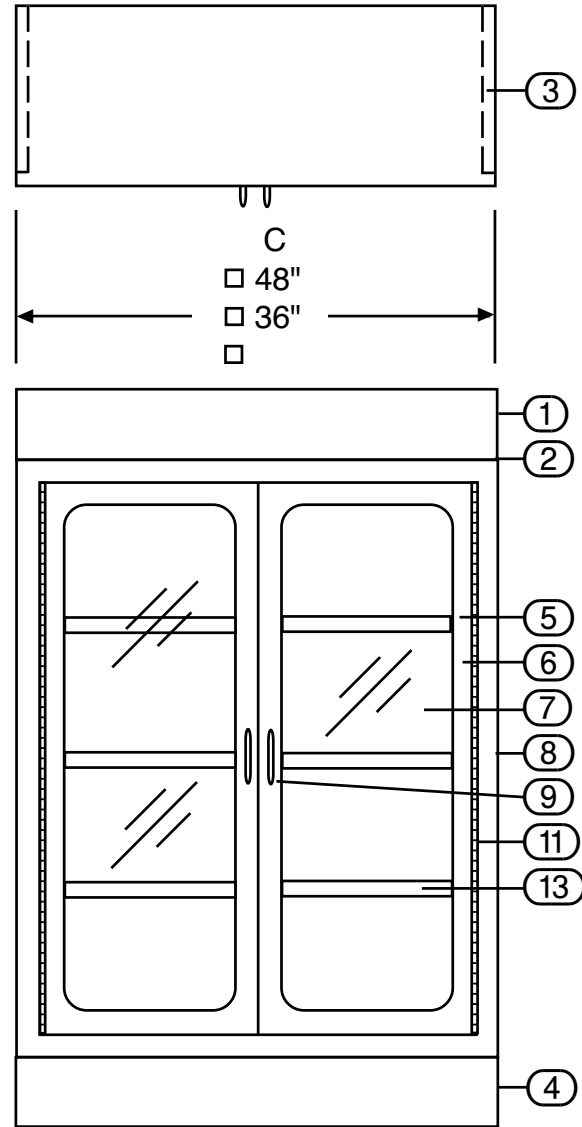
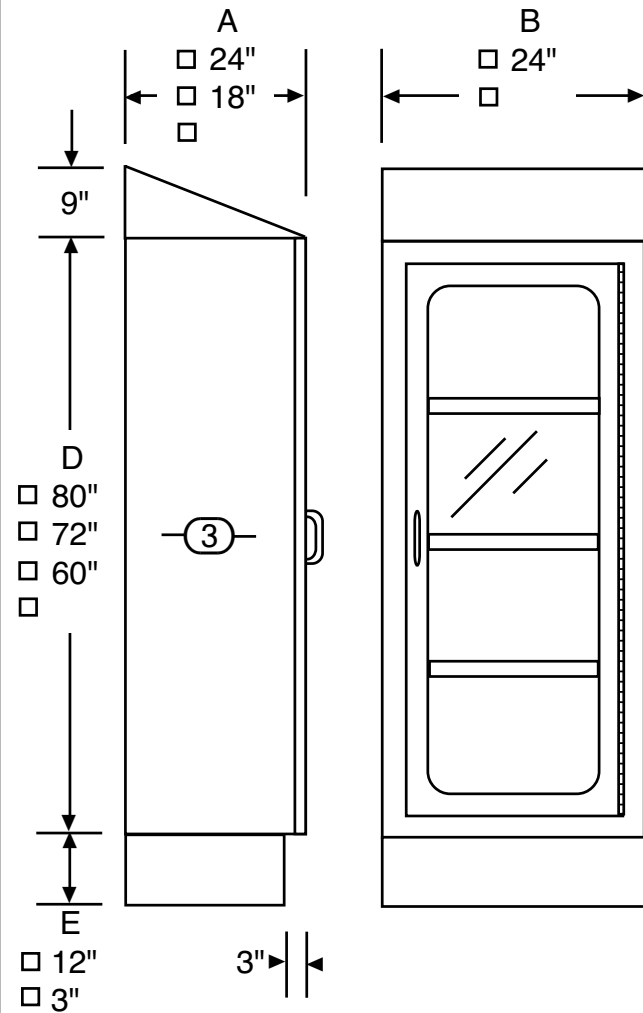
**CAD DRAWINGS:** Available on request. Ask for Carr document set number 1255.

**ORDINARY USE:** Carr SSC cabinets have not been designed for outdoor use.

**PRODUCTION SCHEDULING:** Place your order as early as possible in your construction project to insure production and delivery on site at the time needed.

**SURGICAL STORAGE CABINET  
SURFACE MOUNTED  
MODEL SSC**

DATE: 4/5/13 SCALE: NOT TO SCALE  
DRAWN BY: *jjr* DRAWING NO. 231



- 1. SLOPED TOP, SS.
- 2. FLAT TOP, SS.
- 3. SIDE PANEL, SS. QTY \_\_\_\_.
- 4. BASE, SS.
- 5. DOOR, SOLID SS, DOUBLE WALL, SOUND INSULATED.
- 6. DOOR, SINGLE GLAZED, DOUBLE WALL, 2" WIDE FRAME, SS.
- 7. GLASS, DBL STRENGTH, TEMPERED, 1/4" THICK, REMOVABLE.
- 8. STAINLESS, TYPE 304, #4 FINISH.
- 9. HANDLE, SOLID STAINLESS.
- 10. FLUSH INTERIOR FACILITATING THOROUGH CLEANING.
- 11. PIANO HINGE, FULL HEIGHT, SS.
- 12. NYLON ROLLER DOOR CATCH, SPRING LOADED, NOT SHOWN.
- 13. SHELF, HEIGHT ADJUSTABLE IN 1/2" INCREMENTS, SS.  
80" HIGH CABINET 5 SHELVES.  
72" HIGH CABINET 4 SHELVES  
60" HIGH CABINET 3 SHELVES.  
SHELF QUANTITY \_\_\_\_.

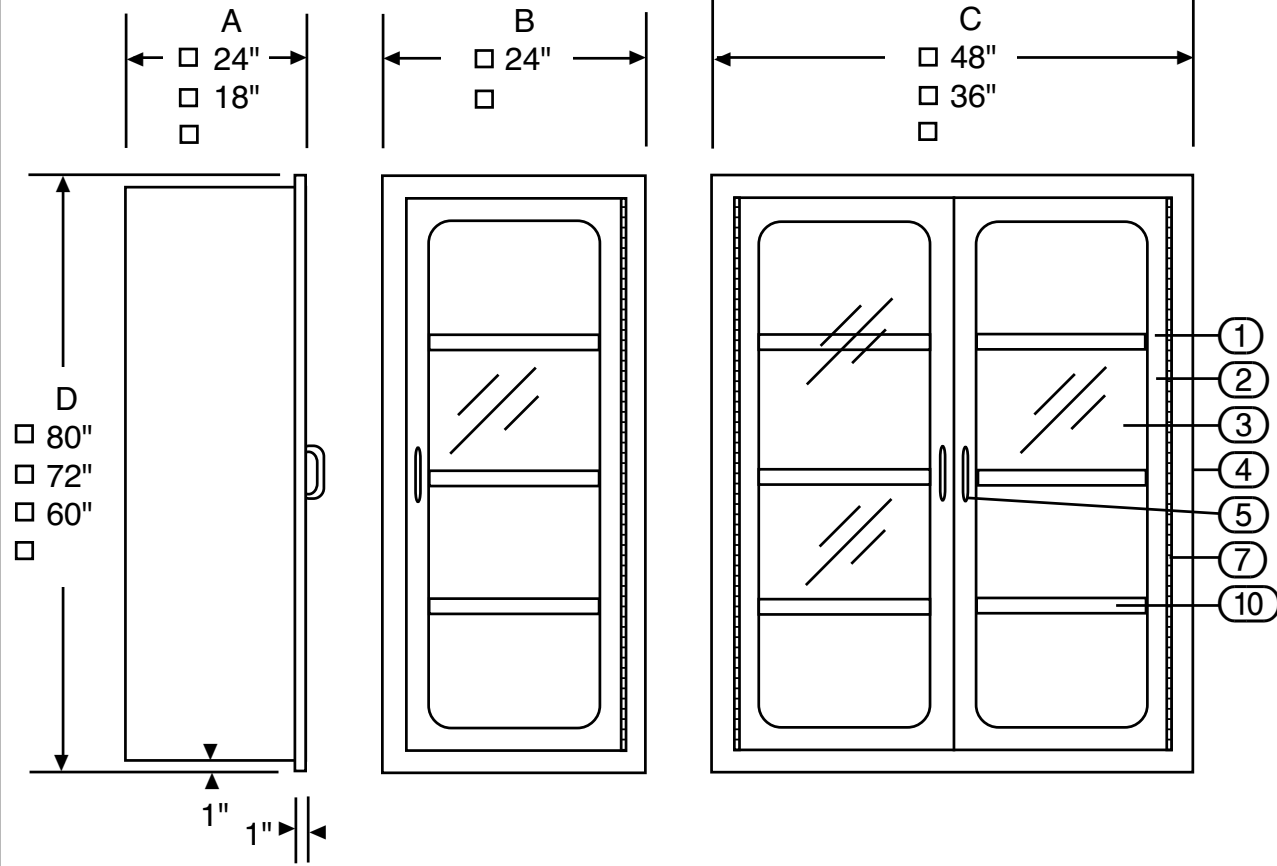
NOTE: ONLY ITEMS WITH MARKED BOXES ARE INCLUDED.

ALL DIMENSIONS +/- 1/8".



**SURGICAL STORAGE CABINET  
RECESS MOUNTED  
MODEL SSC**

DATE: 4/5/13 SCALE: NOT TO SCALE  
DRAWN BY: *jjr* DRAWING NO. 230



- 1. DOOR, SOLID SS, DOUBLE WALL, SOUND INSULATED.
- 2. DOOR, SINGLE GLAZED, DOUBLE WALL, 2" WIDE FRAME, SS.
- 3. GLASS, DBL STRENGTH, TEMPERED, 1/4" THICK, REMOVABLE.
- 4. STAINLESS, TYPE 304, # 4 FINISH.
- 5. HANDLE, SOLID STAINLESS.
- 6. FLUSH INTERIOR FACILITATING THOROUGH CLEANING.
- 7. PIANO HINGE, FULL HEIGHT, SS.
- 8. NYLON ROLLER DOOR CATCH, SPRING LOADED, NOT SHOWN.
- 9. RECESS FLANGE.
- 10. SHELF, HEIGHT ADJUSTABLE IN 1/2" INCREMENTS, SS.  
80" HIGH CABINET 5 SHELVES.  
72" HIGH CABINET 4 SHELVES.  
60" HIGH CABINET 3 SHELVES.  
SHELF QUANTITY \_\_\_\_.

NOTE: ONLY ITEMS WITH MARKED BOXES ARE INCLUDED.

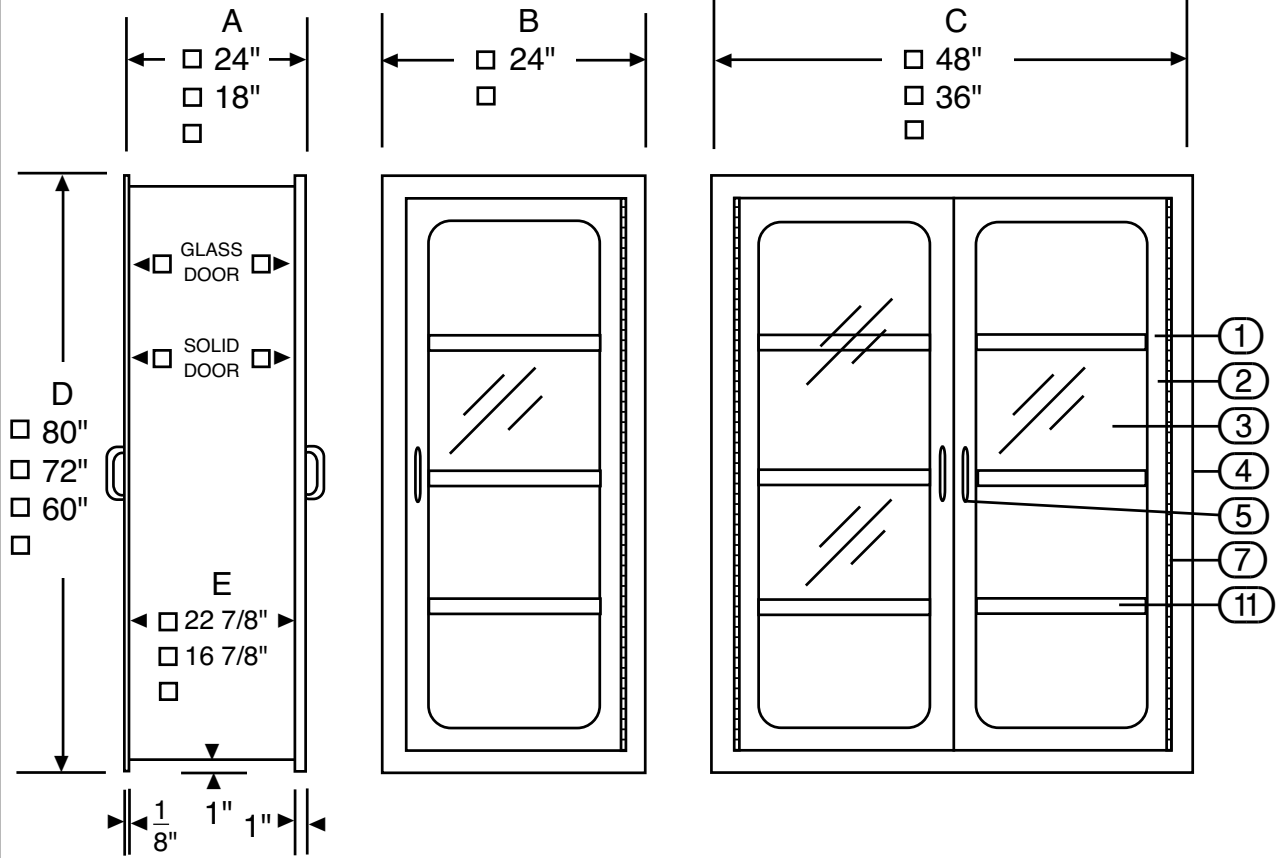
ALL DIMENSIONS +- 1/8".

WALL OPENING:  
WIDTH: TOTAL OF "B" OR "C"-1 1/2".  
HEIGHT: "D" - 1 1/2".  
DEPTH: "A" - 3/4".



**SURGICAL STORAGE CABINET  
PASS THROUGH  
MODEL SPC**

DATE: 4/5/13 SCALE: NOT TO SCALE  
DRAWN BY: *ggr* DRAWING NO. 290



- 1. DOOR, SOLID SS, DOUBLE WALL, SOUND INSULATED.
- 2. DOOR, SINGLE GLAZED, DOUBLE WALL, 2" WIDE FRAME, SS.
- 3. GLASS, DBL STRENGTH, TEMPERED, 1/4" THICK, REMOVABLE.
- 4. STAINLESS, TYPE 304, # 4 FINISH.
- 5. HANDLE, SOLID STAINLESS STEEL.
- 6. FLUSH INTERIOR FACILITATING THOROUGH CLEANING.
- 7. PIANO HINGE, FULL HEIGHT, SS.
- 8. NYLON ROLLER DOOR CATCH, SPRING LOADED, NOT SHOWN.
- 9. RECESS FLANGE, SS, BUILT IN.
- 10. RECESS FLANGE, SS, REMOVABLE.
- 11. SHELF, HEIGHT ADJUSTABLE IN 1/2" INCREMENTS, SS.  
80" HIGH CABINET 5 SHELVES.  
72" HIGH CABINET 4 SHELVES.  
60" HIGH CABINET 3 SHELVES.  
SHELF QUANTITY \_\_\_\_.

NOTE: ONLY ITEMS WITH MARKED BOXES ARE INCLUDED.

ALL DIMENSIONS +- 1/8".

WALL OPENING:  
WIDTH: TOTAL OF "B" OR "C"-1 1/2".  
HEIGHT: "D" - 1 1/2".  
WALL DEPTH: "E"

**CARR**



---

## **Carr Surgical Cabinets - Installation, Operation And Maintenance**

Page 1 ..... Installation Preparation

Page 2 ..... Recess Mounted Cabinet Installation

Page 3 ..... Surface Mounted Cabinet Installation

Page 4 ..... Pass Through Cabinet Installation

Page 5 ..... Operation And Maintenance

Manual Number 338, Revised 1/13



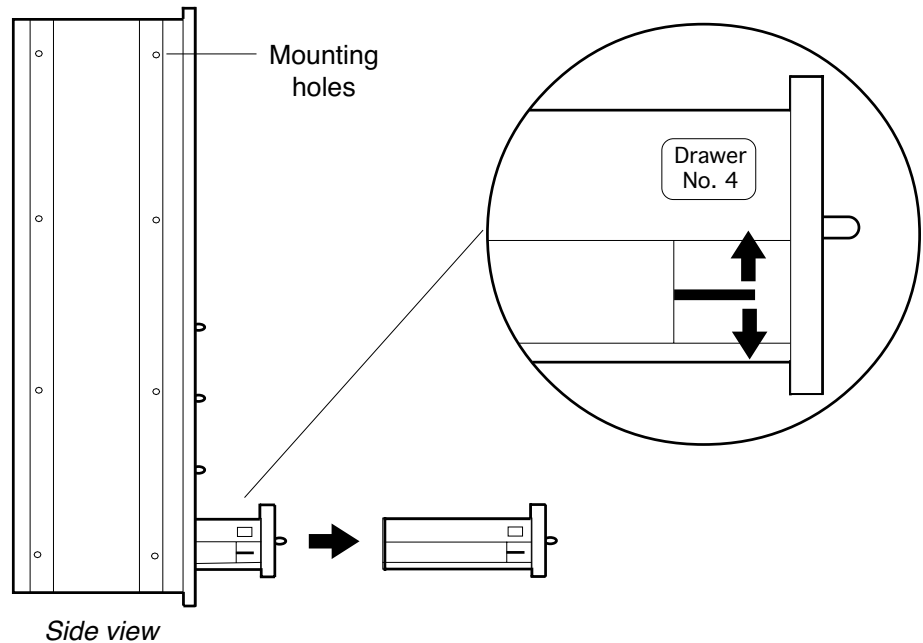
# Carr Surgical Cabinets - Installation Preparation

Manual No. 338 Revised 1/13

## Remove drawers to access mounting holes.

If cabinet has drawers, remove them to access mounting holes. Toggle latches to release.

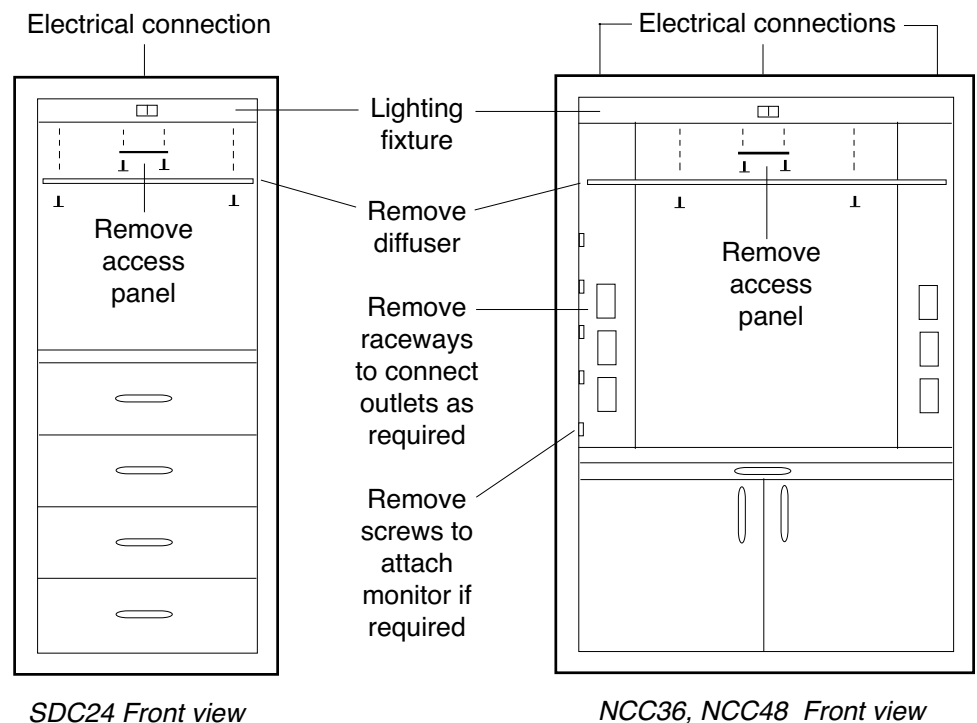
For correct alignment, replace drawers to their original position by matching the number on the inside of the cabinet to the number on side of drawer.



## Make electrical connections:

Some cabinets require electrical connections. Do so in conformance with local codes using a qualified electrician.

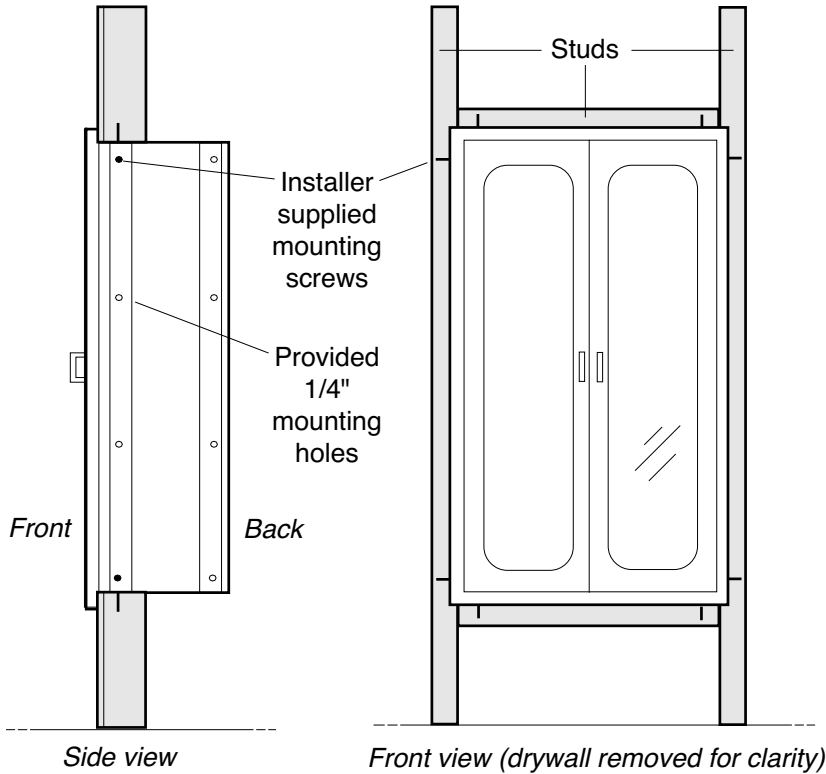
Route power and ground wires to cabinet. Make final connections by removing access panels.



# Carr Surgical Cabinets - Recess Mounted Cabinet Installation

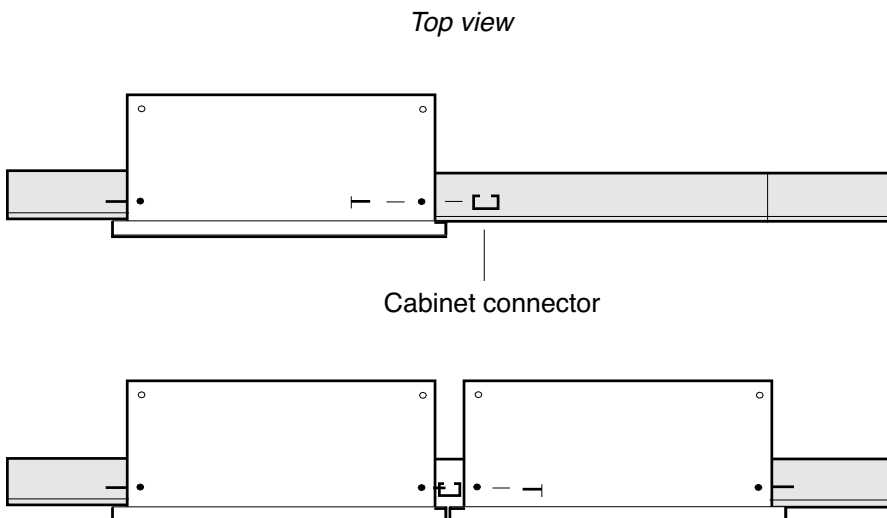
Manual No. 338 Revised 1/13

## Cut wall opening, place cabinet and secure:



1. Check local codes. Seismic calculations available.
2. 1/4" Mounting holes provided. Mounting screws not supplied. Use screws suitable for wall material. All other screws, nuts provided.
3. Wall opening width is the front width of the cabinet(s), less 1 1/2".
4. Wall opening height is cabinet front height less 1 1/2".
5. Wall opening depth is cabinet side less 3/4"
6. Cut wall opening. Frame with stud material. Make sure cabinet mounting holes align with studs as shown. Check opening is square.
7. Slide cabinet into wall. Do not lift by door handles.
8. Install mounting screws into provided holes. Do not over torque and damage cabinet. Hand torque only.
9. If multiple cabinet installation, attach cabinet connector. Slide additional cabinet(s) into wall and secure screws to cabinet connector and mounting holes.
10. Check cabinet(s) are installed square to insure proper door movement. Shim as needed.

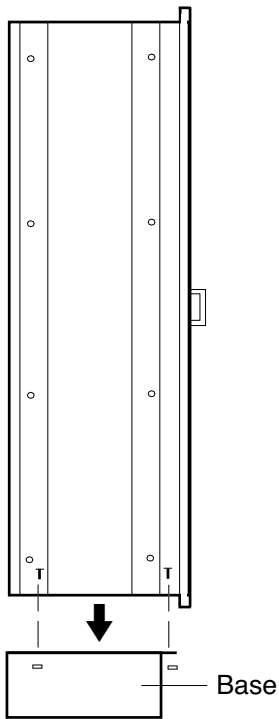
## For multiple cabinet installation:



# Carr Surgical Cabinets - Surface Mounted Cabinet Installation

Manual No. 338 Revised 1/13

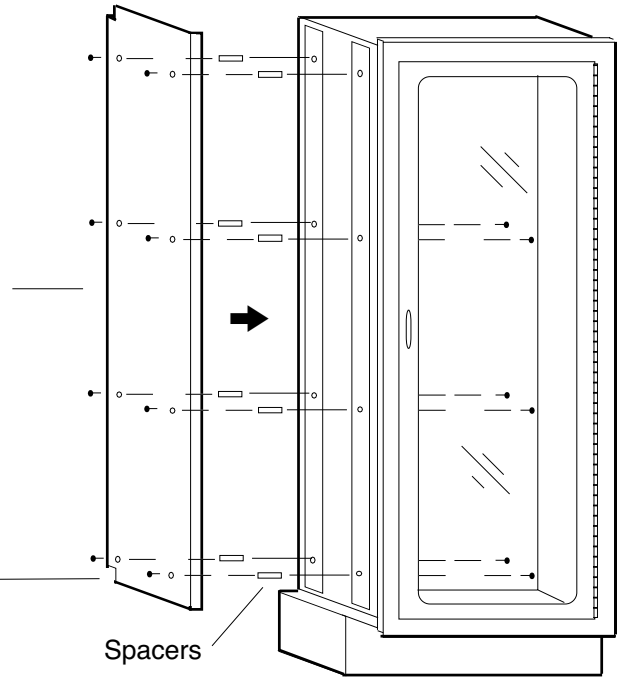
## 1. Secure base:



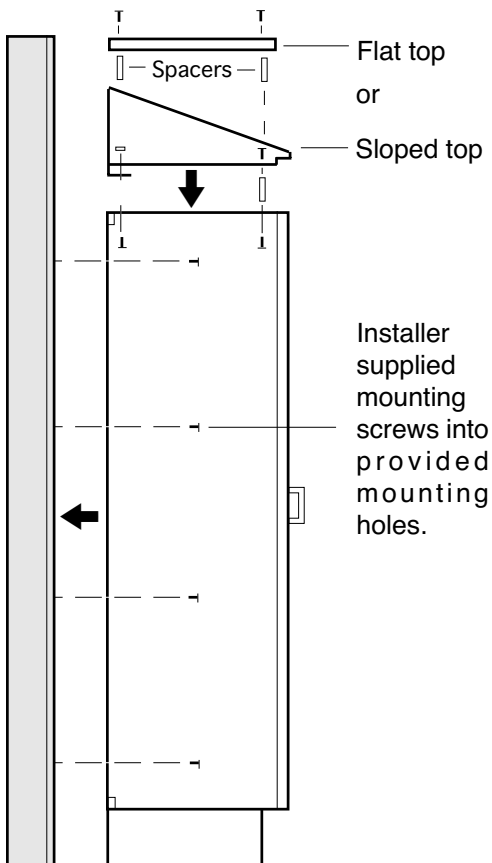
## 2. Secure side panels as required:

Place side panel with spacers on exposed side of cabinet and loosely attach inside screws. Perfect alignment, eliminating any gaps and tighten inside screws. Side panels not required between cabinets.

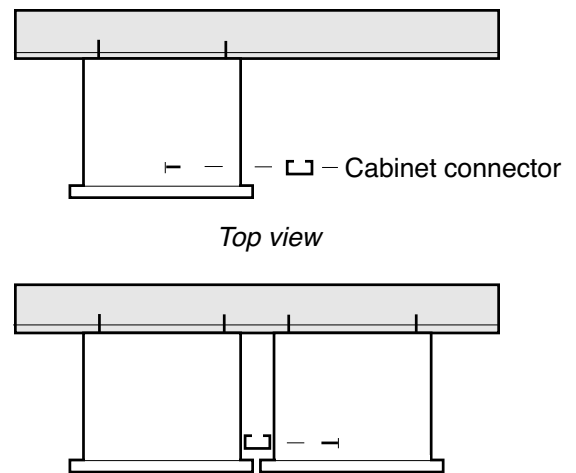
Notches in back



## 3. Secure top, then bolt cabinet to wall:



## For multiple cabinet installation:

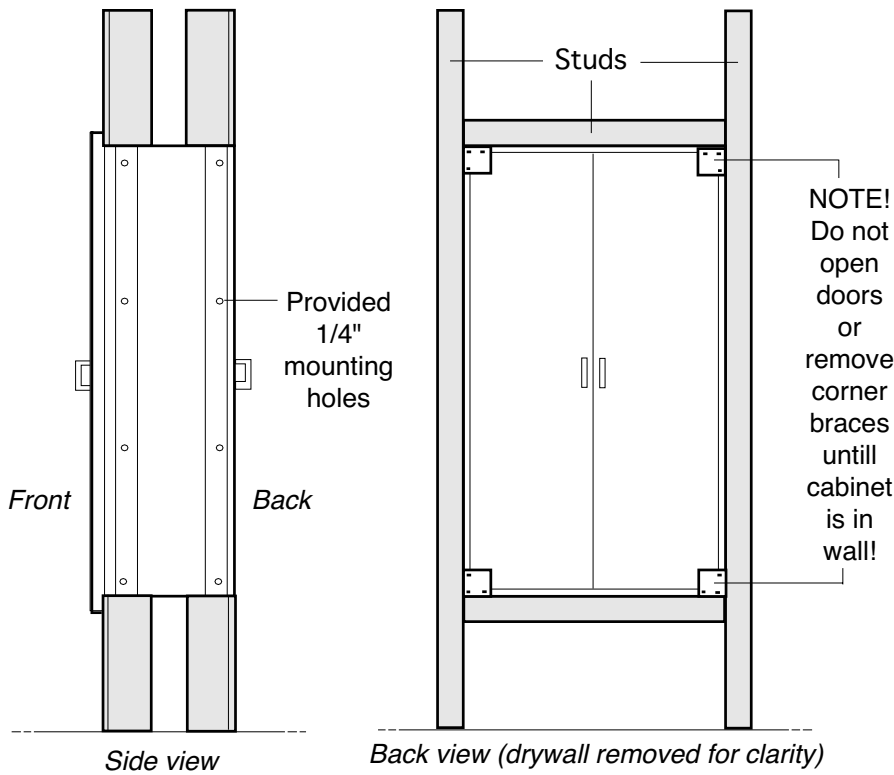


1. Check local codes. Seismic calculations available.
2. 1/4" Mounting holes provided. Mounting screws not supplied, use screws suitable for wall material. All other screws and nuts provided.
3. Do not lift cabinet by door handles.
4. Be sure cabinet is installed square to insure proper door movement.
5. Do not over torque mounting screws and damage cabinet. Hand torque only.

# Carr Surgical Cabinets - Pass Through Cabinet Installation

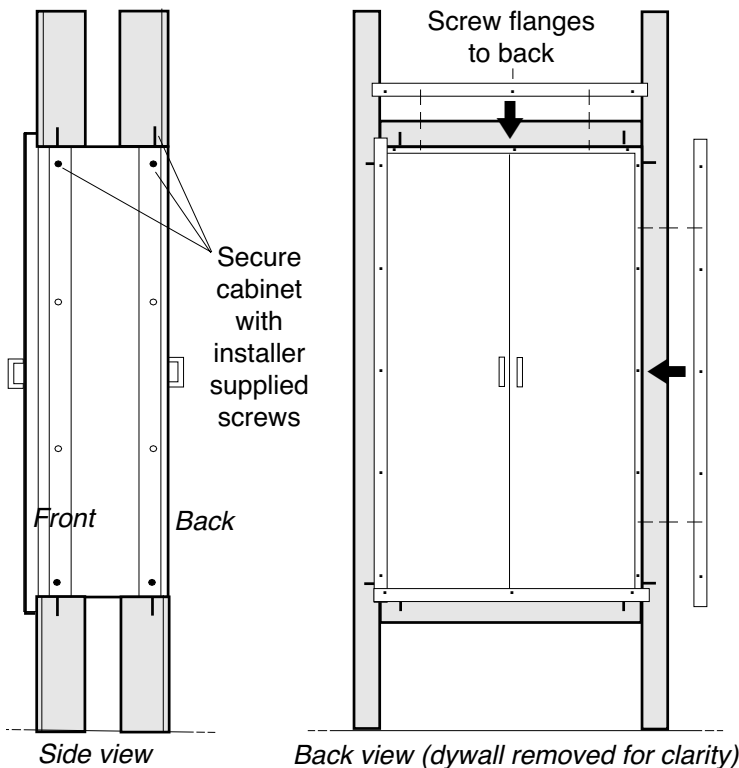
Manual No. 338 Revised 1/13

## 1. Cut wall opening and place cabinet:

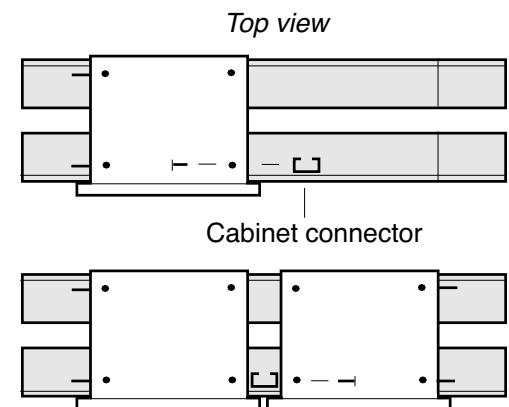


1. Check local codes. Seismic calculations available.
2. 1/4" Mounting holes provided. Mounting screws not supplied. Use screws suitable for wall material. All other screws, nuts provided.
3. Wall opening width is the front width of the cabinet(s), less 1 1/2".
4. Wall opening height is cabinet front height less 1 1/2".
5. Wall opening depth is cabinet side less 3/4"
6. Cut wall opening. Frame with stud material. Make sure cabinet mounting holes align with studs as shown. Check opening is square.
7. Slide cabinet into wall. Do not lift by door handles.
8. Install mounting screws into provided holes. Do not over torque and damage cabinet. Hand torque only.
9. If multiple cabinet installation, attach cabinet connector. Slide additional cabinet(s) into wall and secure screws to cabinet connector and mounting holes.
10. Check cabinet(s) are installed square to insure proper door movement. Shim as needed.

## 2. Secure cabinet to wall, attach flanges:



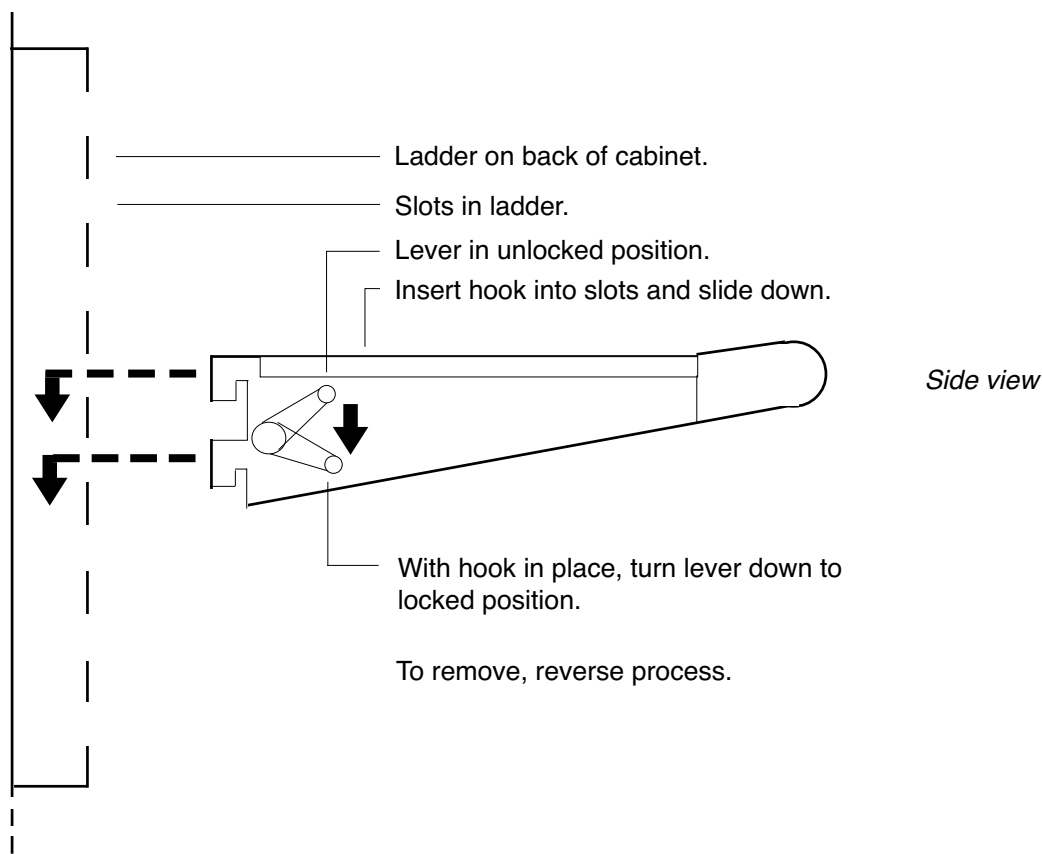
### For multiple cabinet installation:



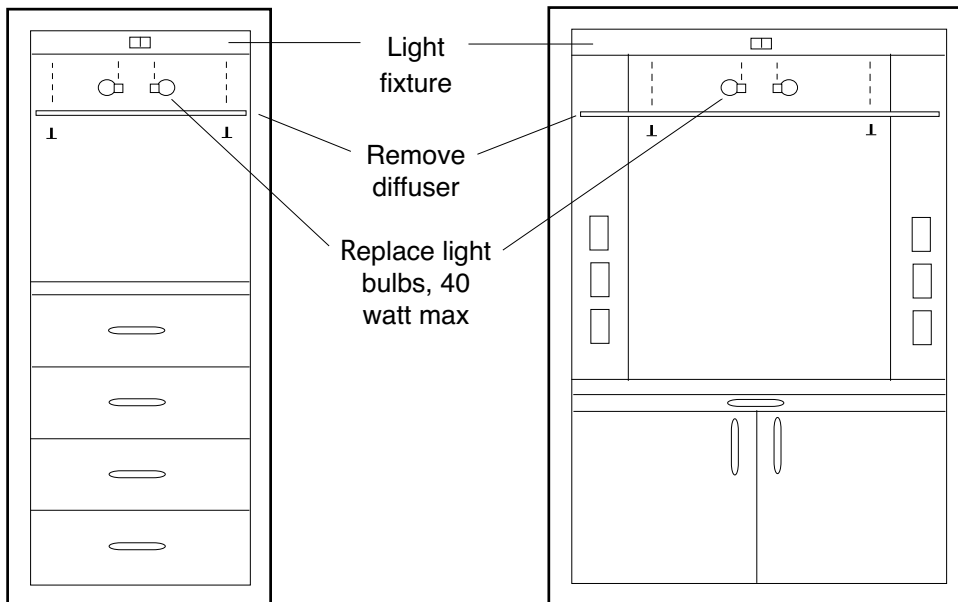
# Carr Surgical Cabinets - Operation And Maintenance

Manual No. 338 Revised 1/13

## Placing / removing hooks on STC cabinets:



## Replacing light bulbs:



SDC24 Front view

NCC36, NCC48 Front view

## Cleaning:

Clean with a soft cloth dampened with isopropyl alcohol. If using other cleaners, use caution and test first. Some can damage or cause corrosion to the cabinet and its components. Do not expose cabinet to an excess of any liquid. Thoroughly dry cabinet with soft dry cloth. Rub all cloths in direction of grain, not in a circular motion to preserve finish.