

# SDC Surgical Drawer Cabinets

DESIGNED FOR SURGERY.

RECESS, SURFACE MOUNTED.

FOUR STORAGE DRAWERS.

INTEGRAL WORK SURFACE.

OVERHEAD LIGHTING.

MADE FOR EASY STERILIZATION.

SIMPLE TO PLAN, INSTALL, USE.



**CARR**

# Carr Is Quality

CARR WAS ESTABLISHED IN 1946 to build the finest quality medical equipment. Based in Santa Monica California, it has prominent installations on all continents, including Antarctica. Its innovative imaging systems were even selected for the SR-71 and Apollo moon landing programs. Our design philosophy: "The greatest sophistication is simplicity" - Da Vinci.



## DATA SHEET TABLE OF CONTENTS

Versions.....	3
Features.....	4
Options.....	7
Surface Sizes, Models.....	8
Recess Sizes, Models.....	9
Installation Accessories.....	10
Specifications.....	10
Miscellaneous Notes.....	10
Submittal Drawings.....	11
Install, Ops & Maint. Manual.....	13



# SDC Versions

SURFACE MOUNTED CABINETS.



RECESS MOUNTED CABINETS.



# SDC Features

## OVERHEAD LIGHTING.

Built-in fixture provides plenty of light on the desktop area. Specially designed for surgery with low electronic leakage that will not interfere with other electronic systems in the surgical suite.

## MAGNETIC BULLETIN BOARD.

Convenient location for posting information. Six strong magnets included.

## DESKTOP WORK SURFACE.

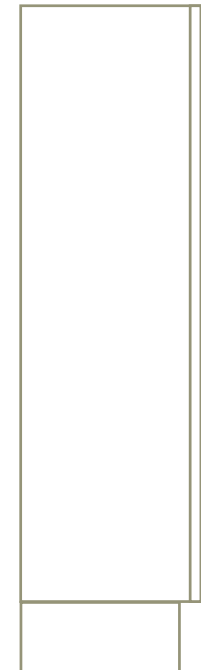
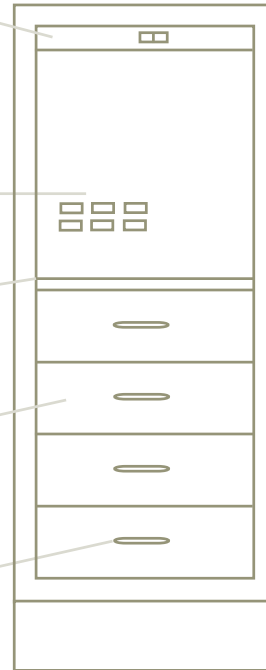
Very useful place to complete paperwork or set up a laptop for data entry.

## DRAWERS.

Four drawers glide easily on ball bearing slides for smooth, quiet operation.

## HANDLES.

A solid stainless steel open design specifically developed for ease of cleaning.



# SDC Features

SMOOTH INTERIOR EASY TO STERILIZE. All smooth surfaces make antibacterial procedures even more effective.

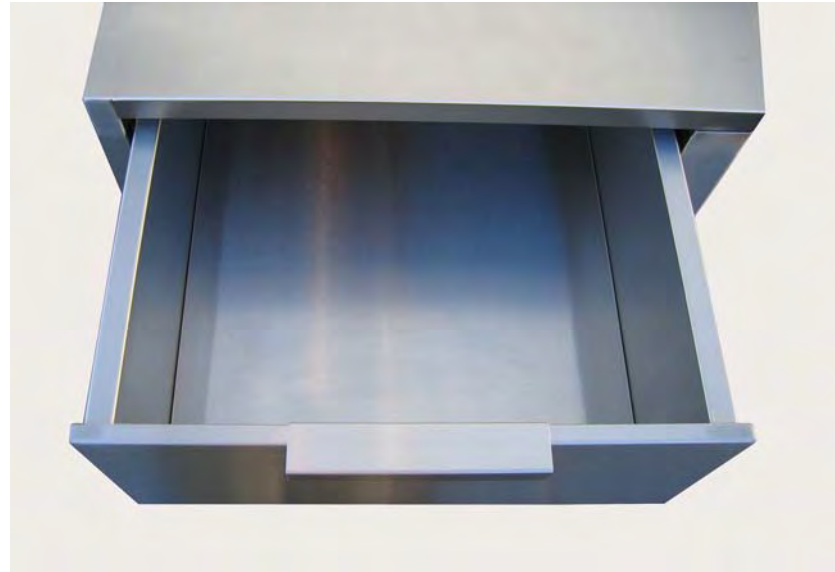
WELDED CONSTRUCTION throughout for strength, durability and smooth corners.

BALL BEARING DRAWER SLIDES insure smooth, effortless drawer operation.

FOR CONTROLLED ENVIRONMENTS. Stainless is strong, inert, highly chemical resistant, nonabsorbent with a integral finish that does not chip or flake.

PLANET FRIENDLY. 100% RECYCLABLE. Stainless is made from 85% recycled material. Plastic and wood used in other casework use up precious natural resources.

CARR CORPORATION  
carrcorp@aol.com - 800 952 2398  
carrcorporation.com - 8/14 - Page 5



# SDC Features

FULLY PROTECTIVE SHIPPING CRATES are carefully designed and built to insure undamaged delivery. Returnable, reusable and made of biodegradable materials.



SIMPLE PLANNING, INSTALLATION. Government preapproved seismic calculations, CAD and submittal drawings ready to use. Step by step illustrated installation manual. Mounting holes provided, no drilling needed. Cabinet connectors insure precise alignment.



CARR CORPORATION  
carrcorp@aol.com - 800 952 2398  
carrcorporation.com - 8/14 - Page 6

# SDC Options

SLOPED TOPS make dust removal easy. Adds 9" to overall cabinet height. Option ST.



LOCKS can be added for security and be all keyed alike or different. Locks can be changed in just a few minutes. For a drawer lock, order Option DWRLOK.



ELECTRONIC LOCKS offer the convenience of keyless security. Battery powered, numerical keypad. Codes easily changed. Option EDORLOK.



# SDC Surface Cabinet Sizes, Model Numbers

## SLOPED TOP

Model ST width depth  
Example: ST2424

## FLAT TOP

Model FT width depth  
Example: FT4824

## CABINET

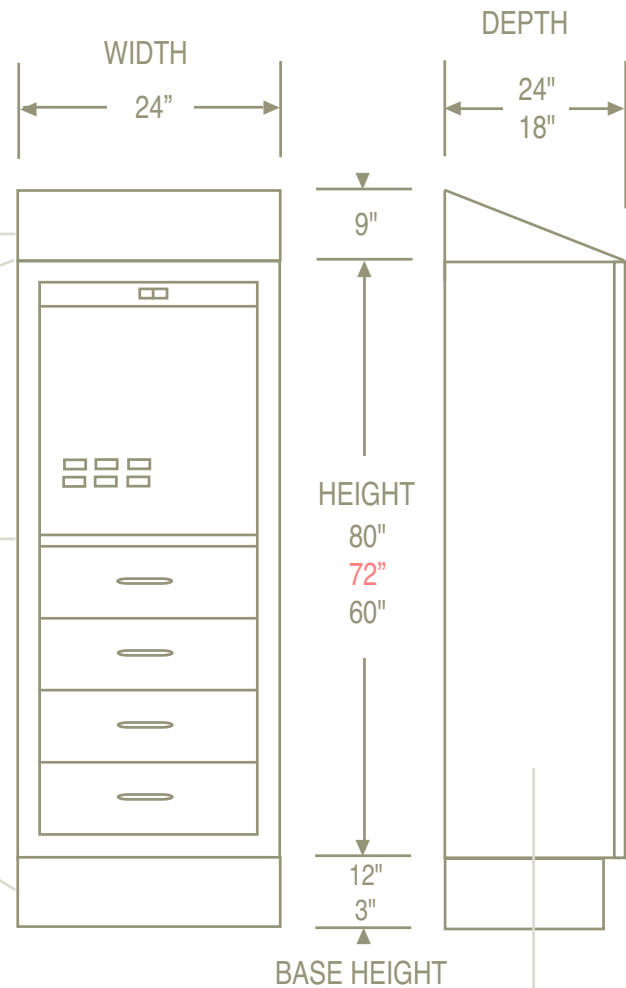
Model SDC width height depth  
Example: SDC246024

## BASE

60" H cabinet 12" H base. All others 3"H.  
Model BS width , base height , depth  
Example: BS241224

## SIDE PANELS

Cosmetic panels for exposed sides.  
Model SP height depth  
Example: SP6024

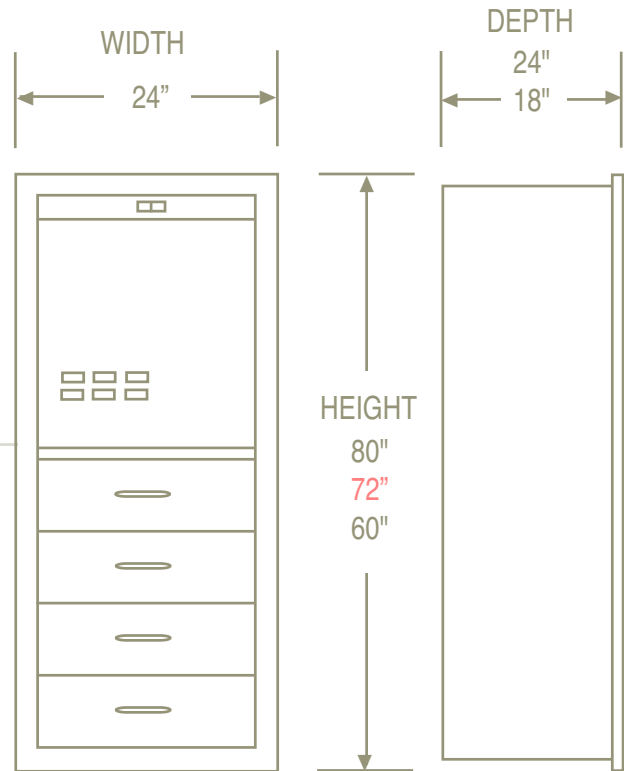


Red indicates non-stock sizes, longer delivery, higher cost.



# SDC Recess Cabinet Sizes, Model Numbers

CABINET  
Model SDC width height depth  
Example: SDC486024



Red indicates non-stock sizes, longer delivery, higher cost.

# SDC Information

## INSTALLATION ACCESSORIES

CC60	Cabinet connector, 60" H
CC72	Cabinet connector, 72" H
CC80	Cabinet connector, 80" H
FCB60	Filler, cabinet body, 60"H
FCB72	Filler, cabinet body, 72"H
FCB80	Filler, cabinet body, 80"H
FBS3	Filler, base, 3"H
FBS12	Filler, base, 12"H
FFT18	Filler, flat top, 18"D
FFT24	Filler, flat top, 24"D
FST18	Filler, sloped top, 18"D
FST24	Filler, sloped top, 24"D
FSWH	Filler, soffit, width, height
SAH	Shelf accessory holes

## SPECIFICATIONS

**DESIGN:** Designed to the specifications set forth by Milspec, OSHPOD, JA, EU.

**CONSTRUCTION:** Heavy gauge type 304 stainless steel, welded modular assembly.

**FINISH:** No. 4 stainless steel finish. All welds ground, polished. No pits, scratches.

**HANDLES:** Solid stainless open design on 4.00" centers, hidden mounting screws.

**DRAWER SLIDES:** Ball bearing, full extension & quick release. 250 Lbs. capacity.

**INSTALLATION:** Anchorage holes provided. Cabinet connectors to assure rapid, accurate alignment of multiple units. Complete installation manual included.

## MISCELLANEOUS NOTES

**LOCK KEYING:** Locks are normally keyed alike. Keyed differently on request.

**MATERIALS:** Cabinets are stainless steel with components made of glass, coated steel, aluminum, nylon, silicone and similar materials. If your application precludes use of a particular material, please advise and we can suggest substitutions.

**SHIPPING:** Surface cabinets have top, side panels and base shipped separately and assembled in the field to reduce risk of freight damage. On request, cabinets can be shipped with components assembled.

**COUNTRY OF ORIGIN:** All items are designed and manufactured in the USA.

**SEISMIC CALCULATIONS:** Complete seismic calculations including OSHPD preapprovals are available on request.

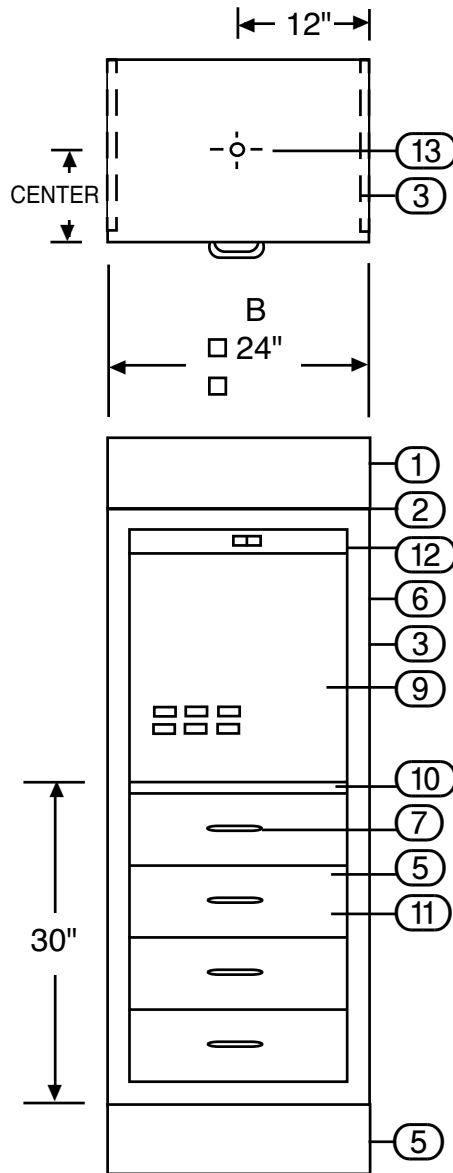
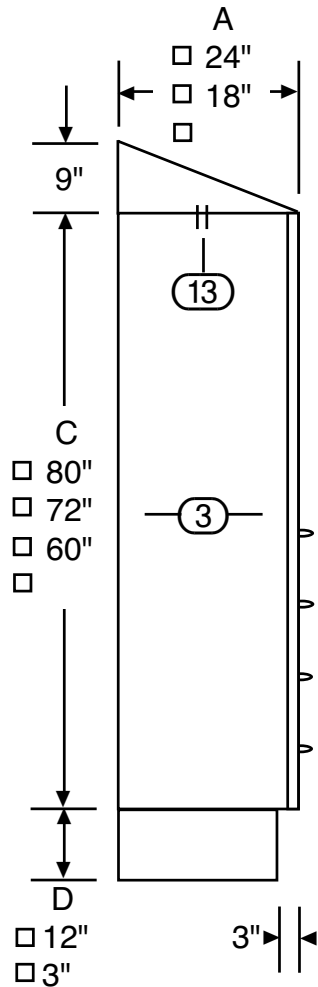
**CAD DRAWINGS:** Available on request. Ask for Carr document set number 1255.

**ORDINARY USE:** Carr SDC cabinets have not been designed for outdoor use.

**PRODUCTION SCHEDULING:** Place your order as early as possible in your construction project to insure production and delivery on site at the time needed.

**SURGICAL DRAWER CABINET  
SURFACE MOUNTED  
MODEL SDC**

DATE: 4/5/13 SCALE: NOT TO SCALE  
DRAWN BY: *JJR* DRAWING NO. 227



- 1. SLOPED TOP, SS.
- 2. FLAT TOP, SS.
- 3. SIDE PANEL, SS, QTY \_\_\_\_.
- 4. BASE, SS.
- 5. DOOR, SOLID SS, DOUBLE WALL, SOUND INSULATED.
- 6. STAINLESS, TYPE 304, #4 FINISH.
- 7. HANDLE, SOLID STAINLESS.
- 8. FLUSH INTERIOR FACILITATING THOROUGH CLEANING.
- 9. BULLETIN BOARD W/ 6 MAGNETS.
- 10. WRITING SURFACE, SS.
- 11. DRAWER, SS, WITH BALL BEARING DRAWER SLIDES.
- 12. LIGHT FIXTURE, INCANDESCENT.
- 13. K.O. FOR ELECTRICAL CONNECTION, 115 VOLT, 60 HZ. 1.5 AMP.

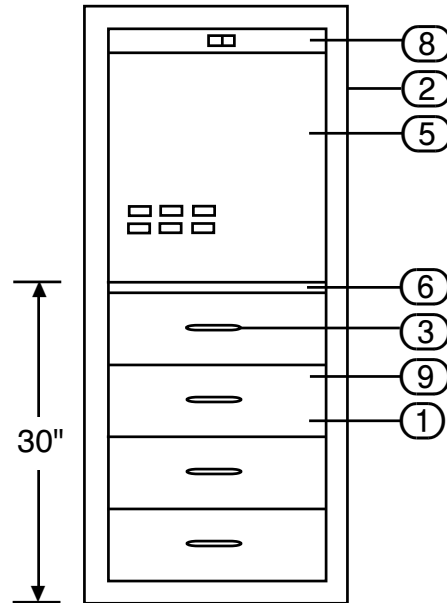
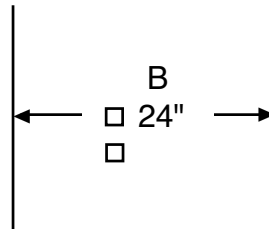
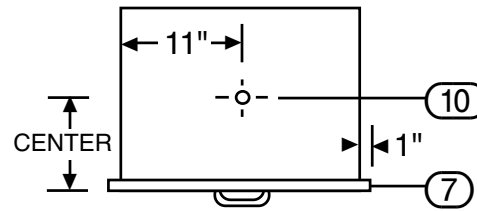
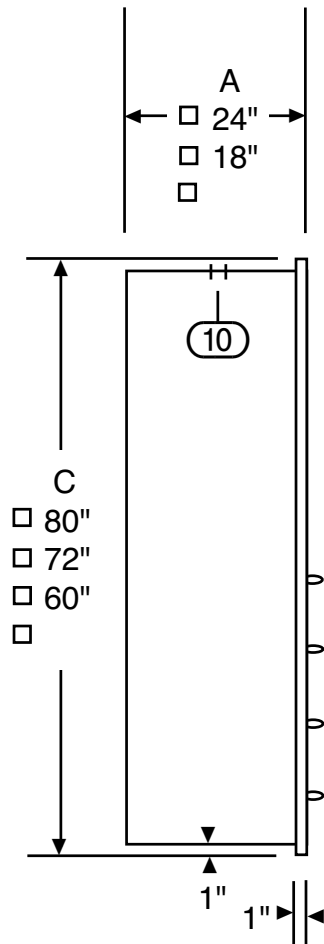
NOTE: ONLY ITEMS WITH MARKED BOXES ARE INCLUDED.

ALL DIMENSIONS ARE +- 1/8".

**CARR**

**SURGICAL DRAWER CABINET  
RECESS MOUNTED  
MODEL SDC**

DATE: 4/5/013 SCALE: NOT TO SCALE  
DRAWN BY: *jjr* DRAWING NO. 226



- 1. DOOR, SOLID SS, DOUBLE WALL, SOUND INSULATED.
- 2. STAINLESS, TYPE 304, # 4 FINISH.
- 3. HANDLE, SOLID STAINLESS.
- 4. FLUSH INTERIOR FACILITATING THOROUGH CLEANING.
- 5. BULLETIN BOARD W/ 6 MAGNETS.
- 6. WRITING SURFACE SS.
- 7. RECESSING FLANGE.
- 8. LIGHT FIXTURE, INCANDESCENT.
- 9. DRAWER, BALL BEARING SLIDES.
- 10. K.O., 7/8" FOR ELECT CONNECTION, 115 V, 60 HZ, 1.5 AMPS.

NOTE: ONLY ITEMS WITH MARKED BOXES ARE INCLUDED.

ALL DIMENSIONS ARE +/- 1/8".

WALL OPENING:  
WIDTH: TOTAL OF "B"-1 1/2".  
HEIGHT: "C" - 1 1/2".  
DEPTH: "A" - 3/4".

**CARR**



---

## **Carr Surgical Cabinets - Installation, Operation And Maintenance**

Page 1 ..... Installation Preparation

Page 2 ..... Recess Mounted Cabinet Installation

Page 3 ..... Surface Mounted Cabinet Installation

Page 4 ..... Pass Through Cabinet Installation

Page 5 ..... Operation And Maintenance

Manual Number 338, Revised 1/13

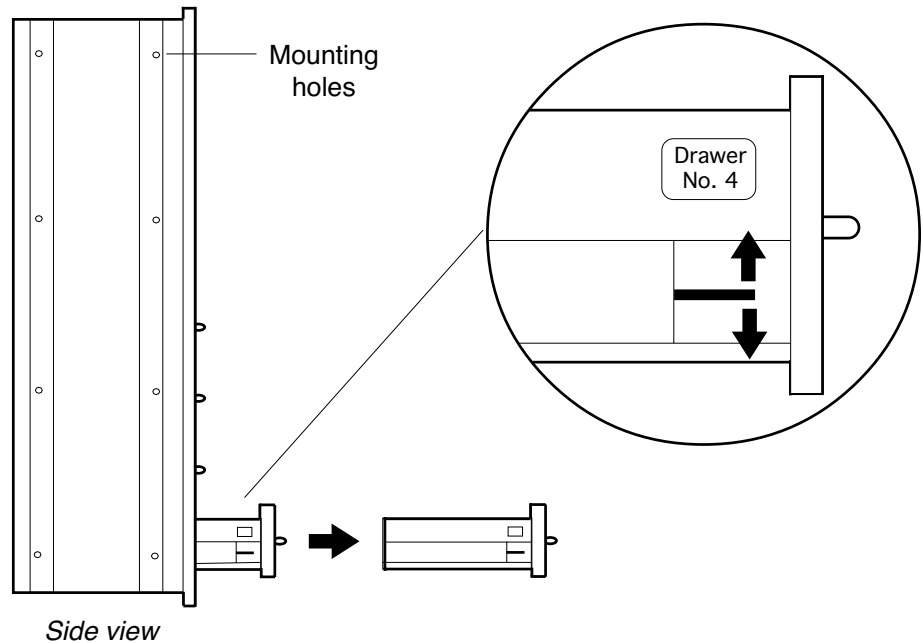
# Carr Surgical Cabinets - Installation Preparation

Manual No. 338 Revised 1/13

## Remove drawers to access mounting holes.

If cabinet has drawers, remove them to access mounting holes. Toggle latches to release.

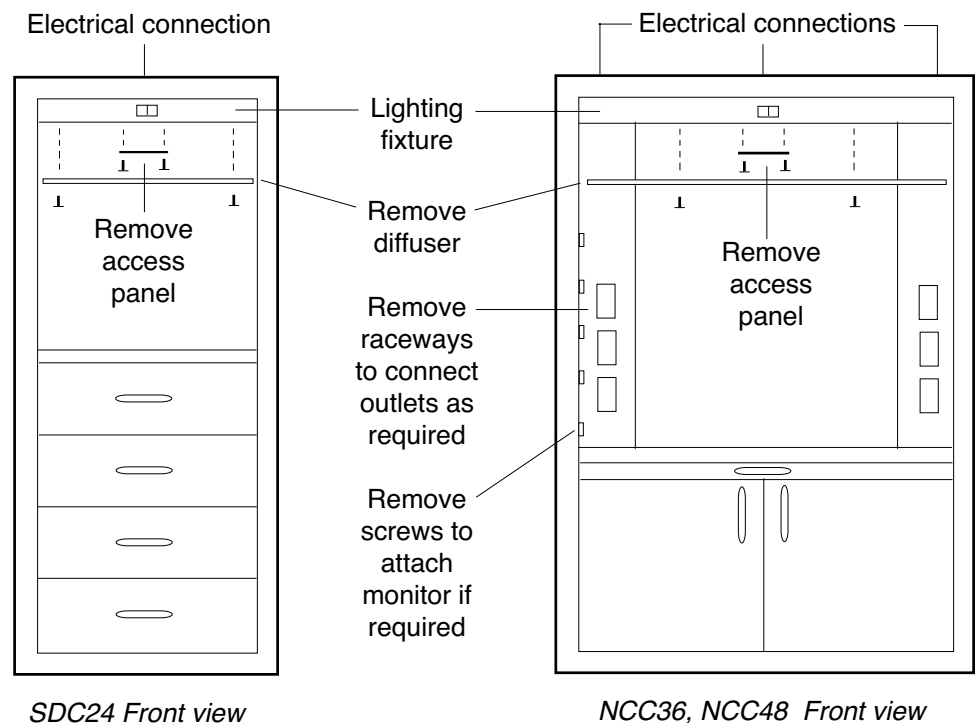
For correct alignment, replace drawers to their original position by matching the number on the inside of the cabinet to the number on side of drawer.



## Make electrical connections:

Some cabinets require electrical connections. Do so in conformance with local codes using a qualified electrician.

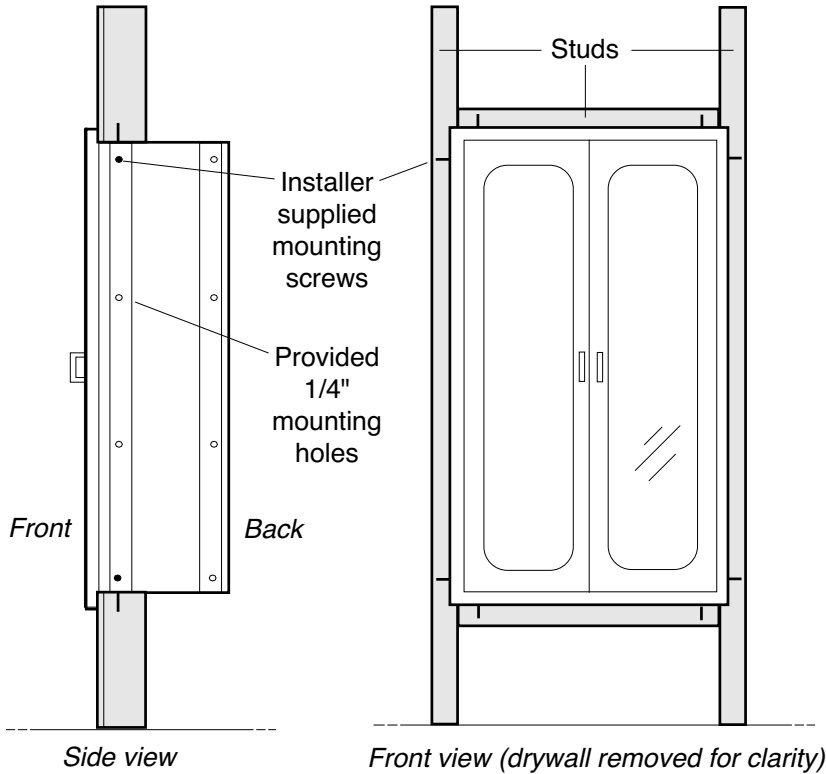
Route power and ground wires to cabinet. Make final connections by removing access panels.



# Carr Surgical Cabinets - Recess Mounted Cabinet Installation

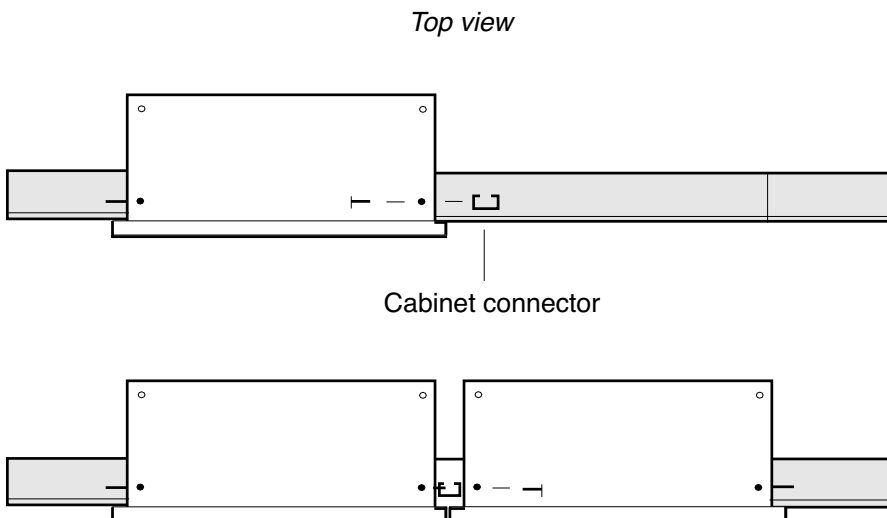
Manual No. 338 Revised 1/13

## Cut wall opening, place cabinet and secure:



1. Check local codes. Seismic calculations available.
2. 1/4" Mounting holes provided. Mounting screws not supplied. Use screws suitable for wall material. All other screws, nuts provided.
3. Wall opening width is the front width of the cabinet(s), less 1 1/2".
4. Wall opening height is cabinet front height less 1 1/2".
5. Wall opening depth is cabinet side less 3/4"
6. Cut wall opening. Frame with stud material. Make sure cabinet mounting holes align with studs as shown. Check opening is square.
7. Slide cabinet into wall. Do not lift by door handles.
8. Install mounting screws into provided holes. Do not over torque and damage cabinet. Hand torque only.
9. If multiple cabinet installation, attach cabinet connector. Slide additional cabinet(s) into wall and secure screws to cabinet connector and mounting holes.
10. Check cabinet(s) are installed square to insure proper door movement. Shim as needed.

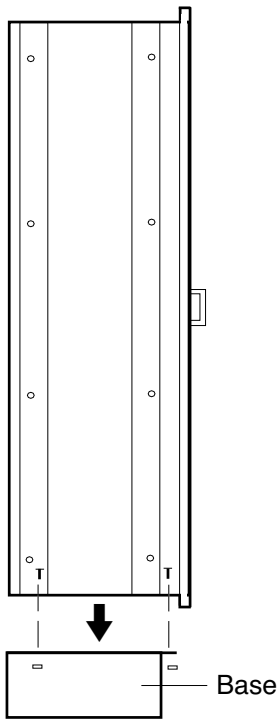
## For multiple cabinet installation:



# Carr Surgical Cabinets - Surface Mounted Cabinet Installation

Manual No. 338 Revised 1/13

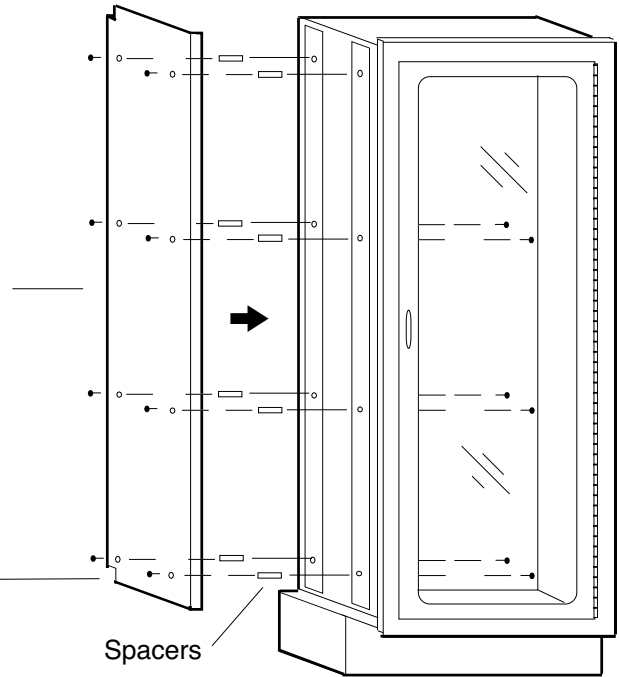
## 1. Secure base:



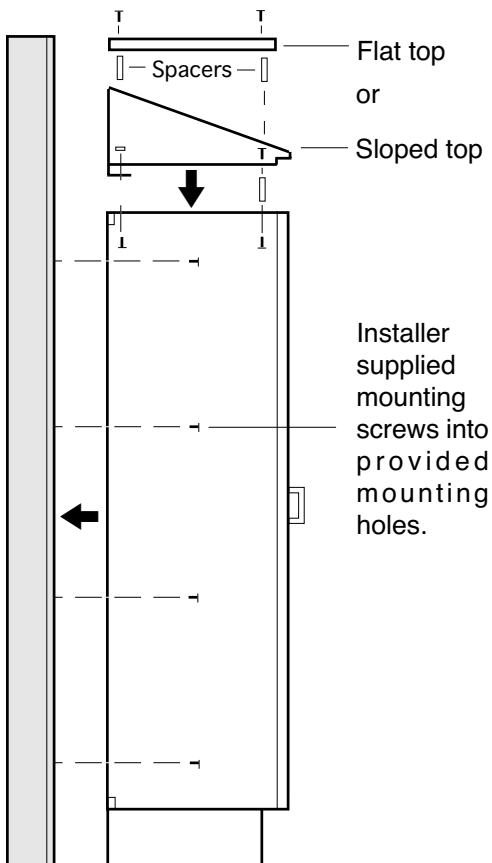
## 2. Secure side panels as required:

Place side panel with spacers on exposed side of cabinet and loosely attach inside screws. Perfect alignment, eliminating any gaps and tighten inside screws. Side panels not required between cabinets.

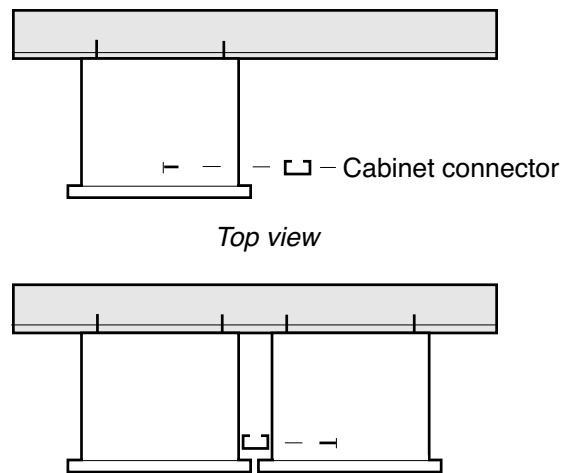
Notches in back



## 3. Secure top, then bolt cabinet to wall:



## For multiple cabinet installation:



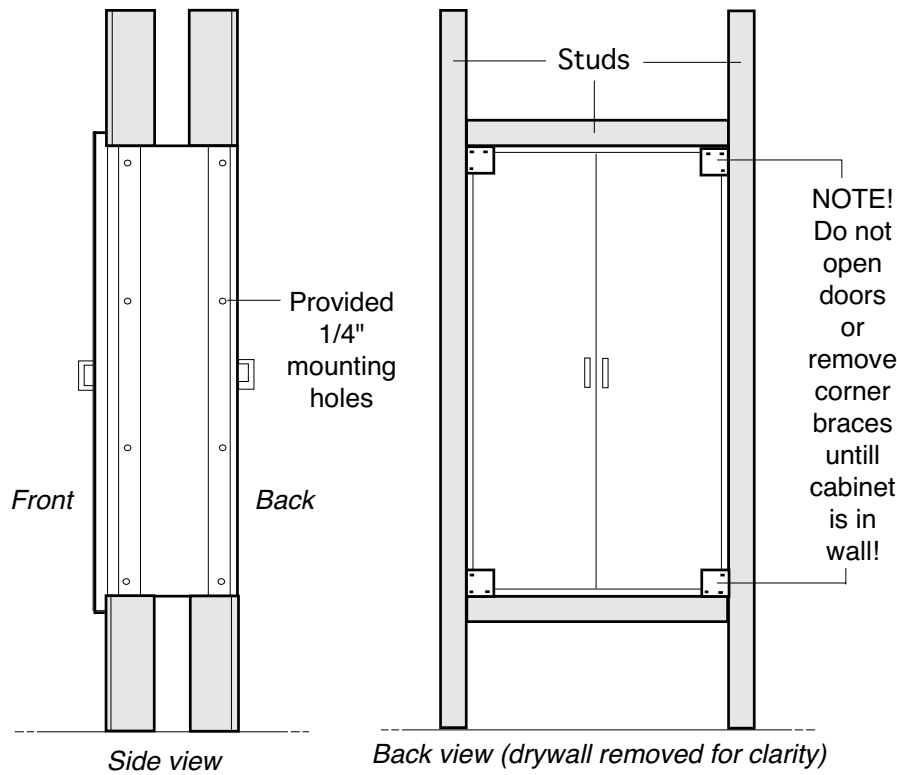
1. Check local codes. Seismic calculations available.
2. 1/4" Mounting holes provided. Mounting screws not supplied, use screws suitable for wall material. All other screws and nuts provided.
3. Do not lift cabinet by door handles.
4. Be sure cabinet is installed square to insure proper door movement.
5. Do not over torque mounting screws and damage cabinet. Hand torque only.



# Carr Surgical Cabinets - Pass Through Cabinet Installation

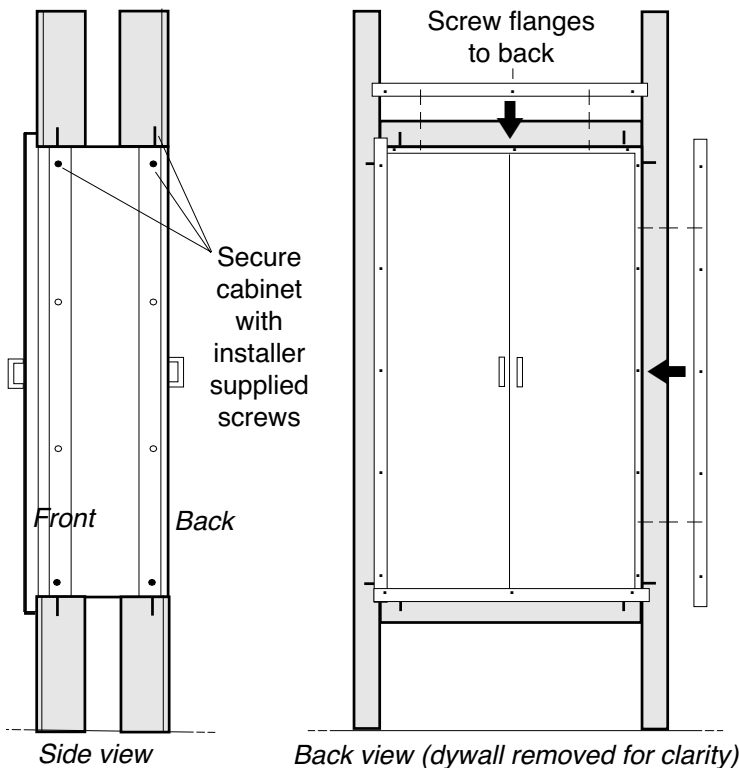
Manual No. 338 Revised 1/13

## 1. Cut wall opening and place cabinet:

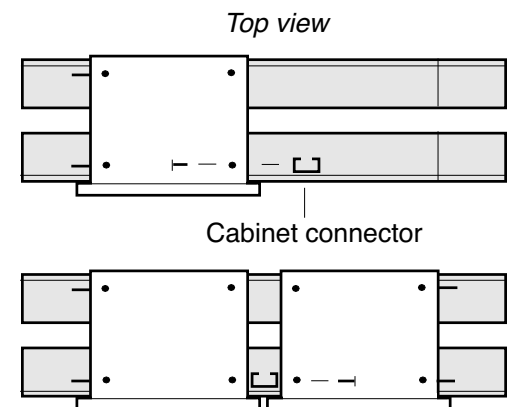


1. Check local codes. Seismic calculations available.
2. 1/4" Mounting holes provided. Mounting screws not supplied. Use screws suitable for wall material. All other screws, nuts provided.
3. Wall opening width is the front width of the cabinet(s), less 1 1/2".
4. Wall opening height is cabinet front height less 1 1/2".
5. Wall opening depth is cabinet side less 3/4"
6. Cut wall opening. Frame with stud material. Make sure cabinet mounting holes align with studs as shown. Check opening is square.
7. Slide cabinet into wall. Do not lift by door handles.
8. Install mounting screws into provided holes. Do not over torque and damage cabinet. Hand torque only.
9. If multiple cabinet installation, attach cabinet connector. Slide additional cabinet(s) into wall and secure screws to cabinet connector and mounting holes.
10. Check cabinet(s) are installed square to insure proper door movement. Shim as needed.

## 2. Secure cabinet to wall, attach flanges:



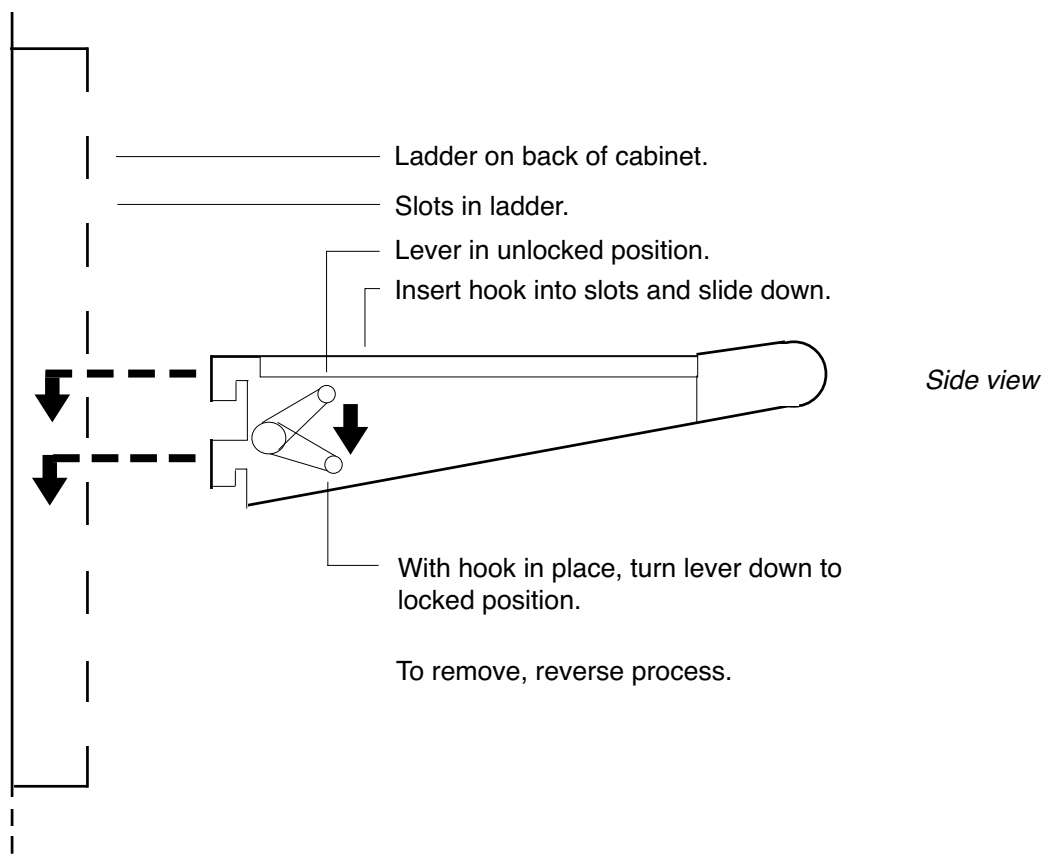
### For multiple cabinet installation:



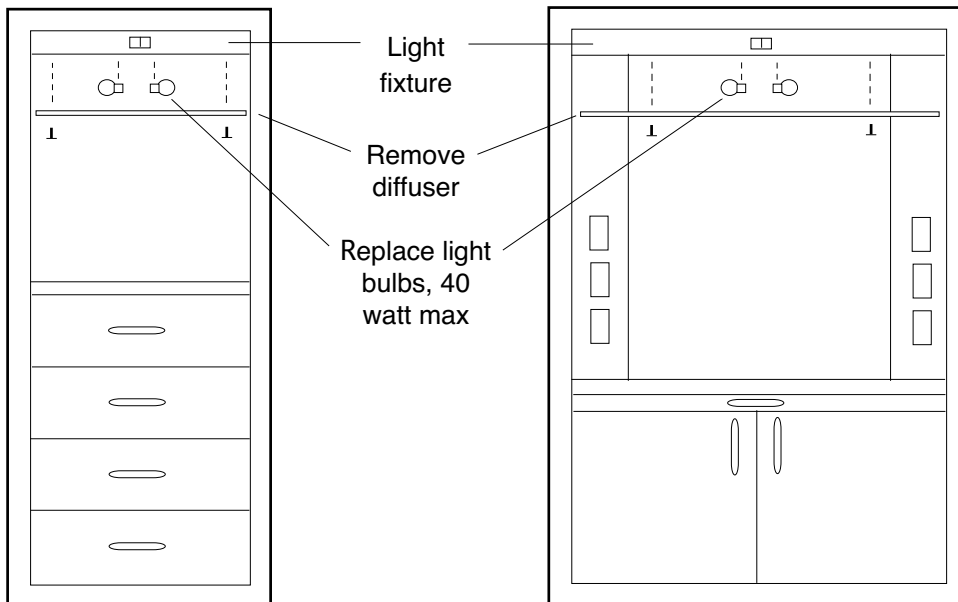
# Carr Surgical Cabinets - Operation And Maintenance

Manual No. 338 Revised 1/13

## Placing / removing hooks on STC cabinets:



## Replacing light bulbs:



SDC24 Front view

NCC36, NCC48 Front view

## Cleaning:

Clean with a soft cloth dampened with isopropyl alcohol. If using other cleaners, use caution and test first. Some can damage or cause corrosion to the cabinet and its components. Do not expose cabinet to an excess of any liquid. Thoroughly dry cabinet with soft dry cloth. Rub all cloths in direction of grain, not in a circular motion to preserve finish.