

FDT

Folding Desk Thinline

Practical, convenient workstation folds to only 1 3/8".

Desktop 22" wide, 15" deep.

Suitable for ORs, exam rooms, patient corridors, nurses stations, clean rooms.

100 Lbs capacity, enough for laptops or other equipment.

Made of type 304 stainless with number 4 satin finish.

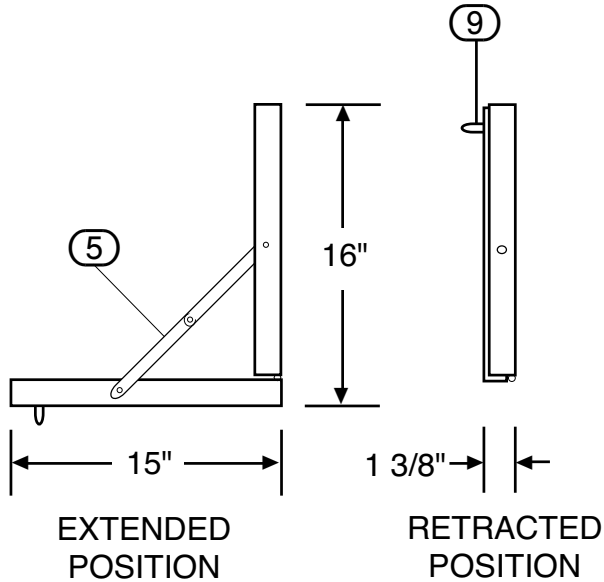
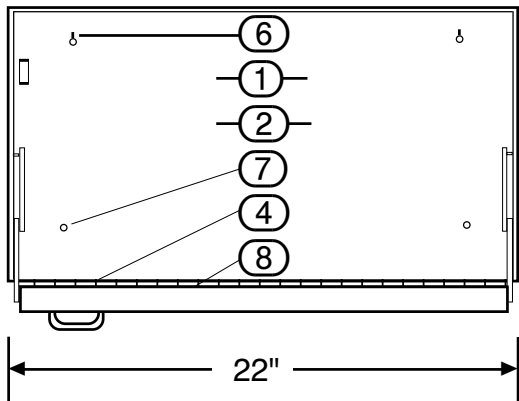
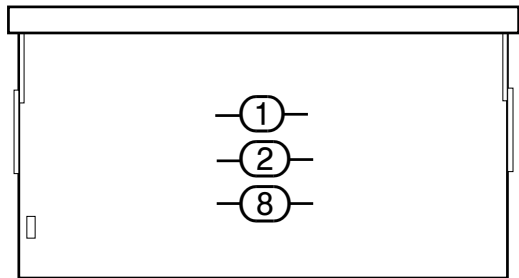


CARR

FOLDING DESK, THINLINE

MODEL FDT2215

DATE: 6/30/06 SCALE: NOT TO SCALE
DRAWN BY: *ggR* DRAWING NO. 225



- 1. ELECTRO-GALVANIZED STEEL CONSTRUCTION
- 2. STAINLESS STEEL CONSTRUCTION
- 3. BAKED POWDER COATED FINISH COLOR: WHITE
- 4. FULL LENGTH PIANO HINGE
- 5. SUPPORT ARM, FOLDING
- 6. MOUNTING KEYHOLES
- 7. MOUNTING HOLES, 1/4" DIA.
- 8. WORK SURFACE
- 9. HANDLE, BRASS, CHROME PLATED WIRE PULL

NOTE: ONLY ITEMS WITH MARKED BOXES ARE INCLUDED.



Carr Corporation

BACKGROUND INFORMATION

Carr Corporation was established in 1946 to build the finest quality medical equipment. Based in Santa Monica California, it has prominent installations on all continents, including Antarctica. It's innovative imaging systems were even selected for the SR-71 and Apollo moon landing programs. Our philosophy: "The greatest sophistication is simplicity" - *Leonardo Da Vinci*.

ADDRESS

Carr Corporation
1547 11th Street,
Santa Monica, CA, USA 90401

CARR CORPORATION

carrcorp@aol.com - 800 952 2398

carrcorporation.com - 9/18 - Page 3

