

CSS

Carr Shelving System

Suitable for clean rooms, labs,
surgeries, kitchens, offices.

Many sizes to choose from.

Heavy gauge 304 stainless
or powder coated white steel.

Heavy duty load capacity, can
be increased to suit your need.

Doubled shelf brackets &
ladders for added strength.

Shelf height adjustable in
1" increments without tools.

Straightforward installation.

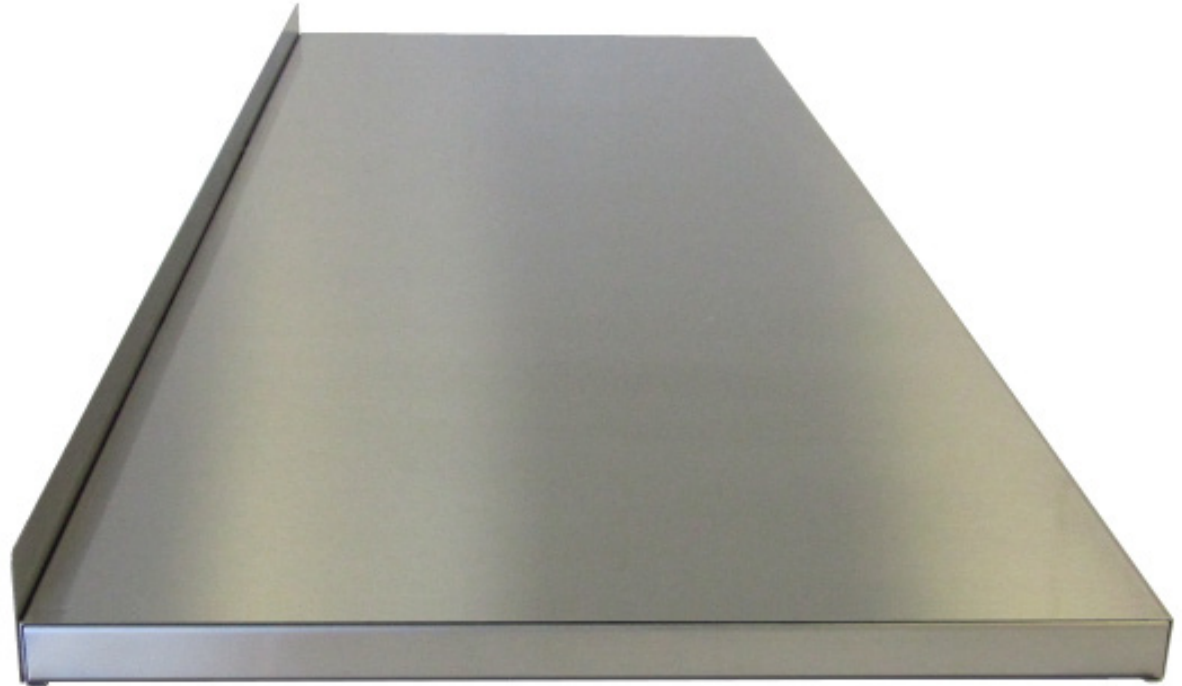


CARR

CSS Features

SHELVES are 18 gauge 304 stainless with a number 4 finish or electro-galvanized steel with Pure White powder coat. Shelves are 1" thick with a 1" backstop.

Shelves have two full width square tube reinforcements front & back. One or two additional reinforcements can be added for extra heavy capacity.



CSS Features

BRACKETS. Instead of being made from a typical single metal plate, these have double 14 gauge plates with an inner supporting structure for exceptional stability and weight capacity. There are two rows of locking teeth instead of one. Up to 680 lbs capacity per pair, depending on depth.



CSS Features

LADDERS are double wide with double rows of bracket slots for much more strength and stability. 1" increment shelf height adjustment. 1 1/4" Wide, 1/2" deep, 16 gauge.

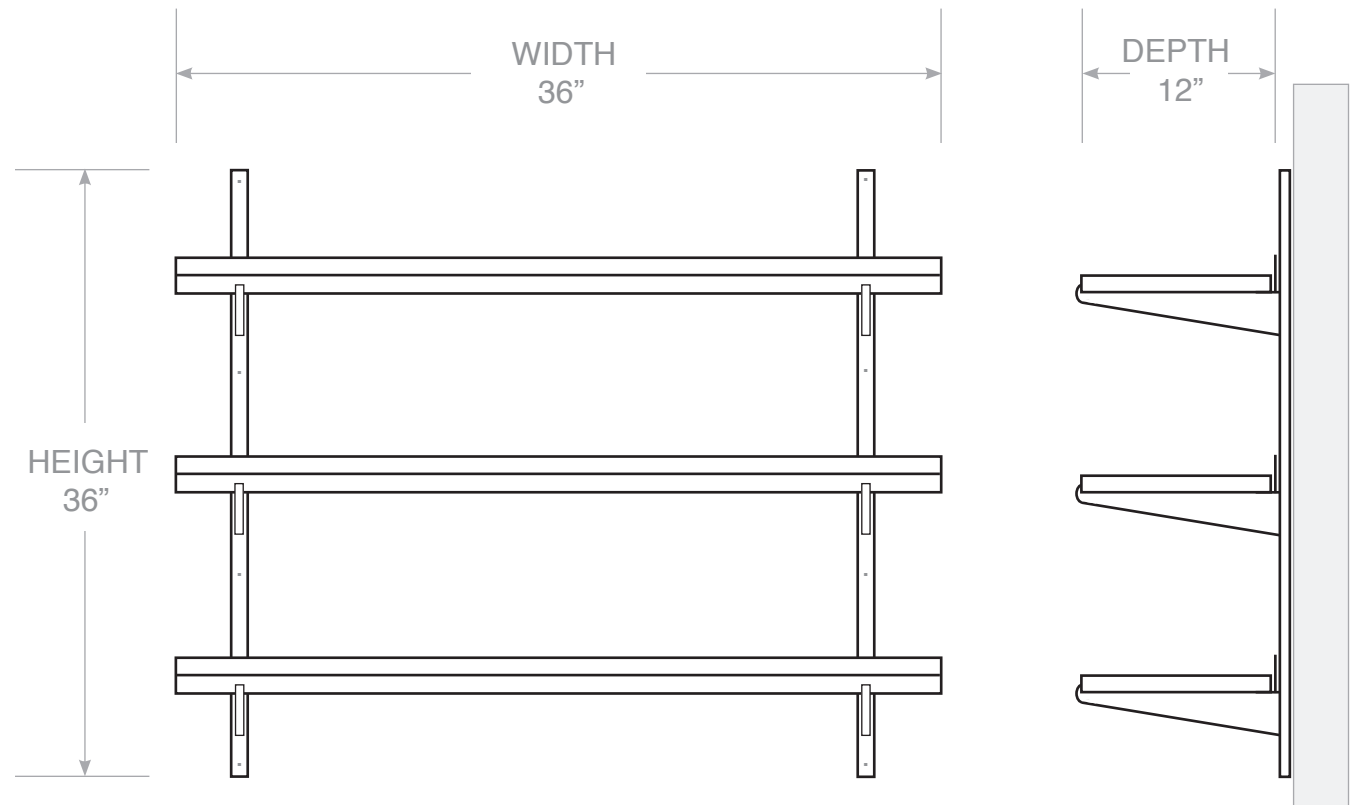


CSS Weight Capacity

CAPACITY is a combination of shelf width, depth and number of ladders. Carr calculates capacity for any combination.

Shown is a typical example with a capacity of 200 lbs per shelf.

Capacity can be increased. Add ladders, add shelf reinforcements or decrease depth.



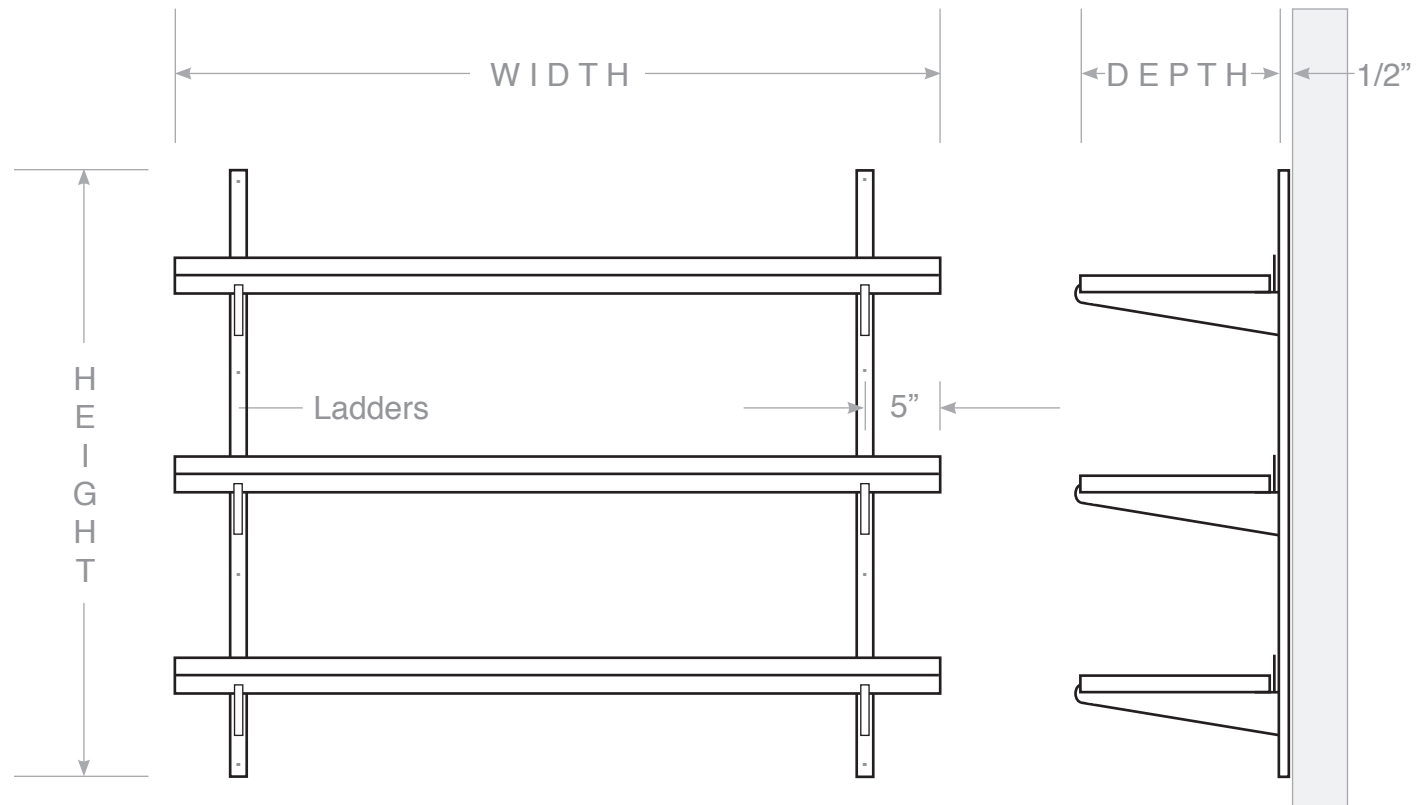
CSS Sizes

WIDTH:
Any width up to 96".

DEPTH:
8" 10" 12" 14" 18" 20" 22" 24".

HEIGHT:
24" 36" 48" 60" 72" 84", 96".

Ladders 48" apart maximum.
Add ladder in center if needed.



Model CSS - _____ - _____ - _____ - _____ - _____
Width Height Depth Shelf Qty Ladder Qty

CSS Specifications

SHELVES: Made of 18 gauge 304 stainless steel with #4 finish or electro-galvanized steel with Pure White powder coat finish. Full width square tube reinforcements front and back. 1" Backstop. Fully welded, ground, polished.

LADDERS: Made of 14 gauge anodized steel. Double slots for shelf adjustment in 1" increments. .1875" Countersunk mounting holes.

BRACKETS: Made of 16 gauge anodized steel. Double metal plates with supporting interior structure. Double row ladder teeth.

ANSI / BHMA Grade 2, MIL-SPEC Compliant.



Carr Corporation

BACKGROUND INFORMATION

Carr Corporation was established in 1946 to build the finest quality medical equipment. Based in Santa Monica California, it has prominent installations on all continents, including Antarctica. It's innovative imaging systems were even selected for the SR-71 and Apollo moon landing programs. Our philosophy: "The greatest sophistication is simplicity" - *Leonardo Da Vinci*.

ADDRESS

Carr Corporation
1547 11th Street,
Santa Monica, California, USA
90401

CARR CORPORATION

carrcorp@aol.com - 800 952 2398

carrcorporation.com - 8/18 - Page 8





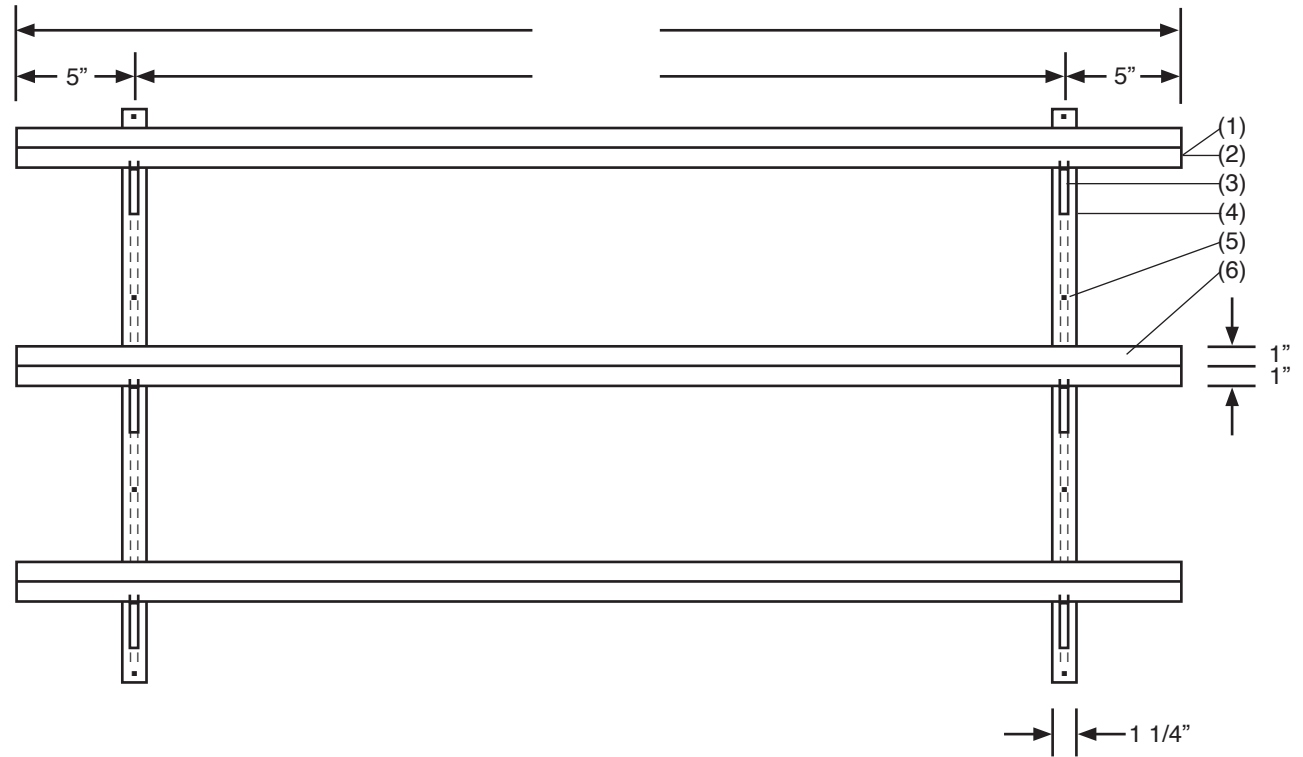
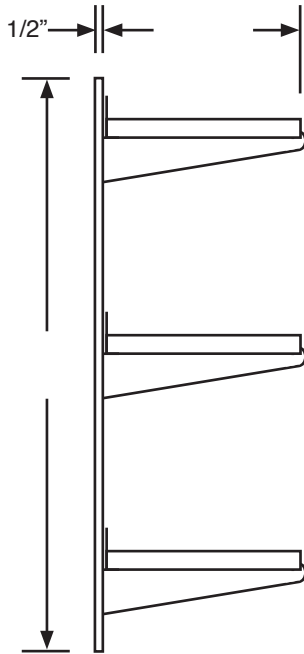
**CARR SHELVING SYSEM
MODEL CSS**

DATE: 8/17/18 DRAWING NO. 382
BY: JJR NOT TO SCALE

- 1. SHELF, STAINLESS, TYPE 304, #4 FINISH, HEIGHT ADJUSTABLE IN 1" INCREMENTS, QUANTITY ____.
- 2. SHELF, ELECT-GALVANIZED STEEL, POWDER COATED FINISH, COLOR "PURE WHITE", HEIGHT ADJUSTABLE IN 1" INCREMENTS, QUANTITY ____.
- 3. BRACKET, DOUBLE PLATES, ANACHROME, 2 ROWS OF MOUNTING TEETH.

- 4. LADDER, ANACHROME, TWO ROWS OF MOUNTING SLOTS, QUANTITY 2.
- 5. MOUNTING HOLES, COUNTER-SUNK, .238" DIAMETER.
- 6. BACKSTOP.

NOTE: ONLY ITEMS WITH MARKED BOXES ARE INCLUDED.
NOTE: ALL DIMENSIONS + - 1/8".





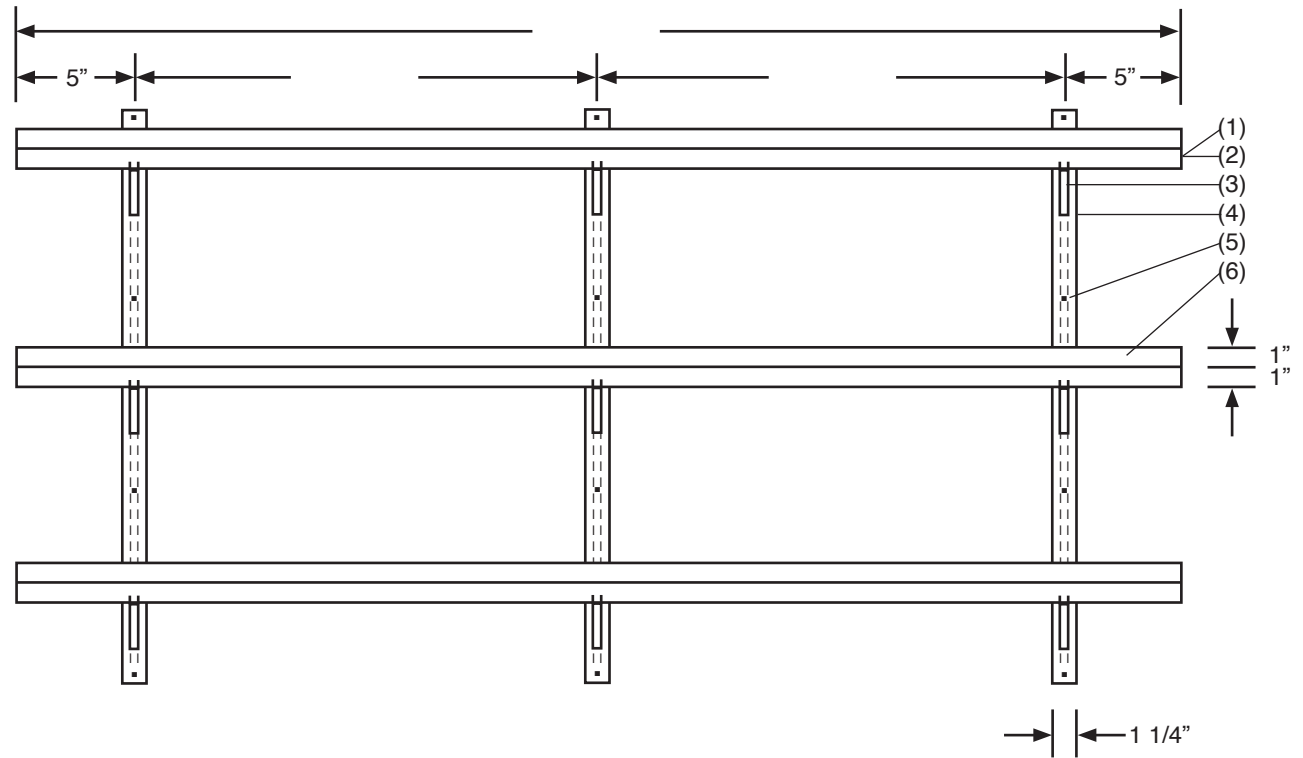
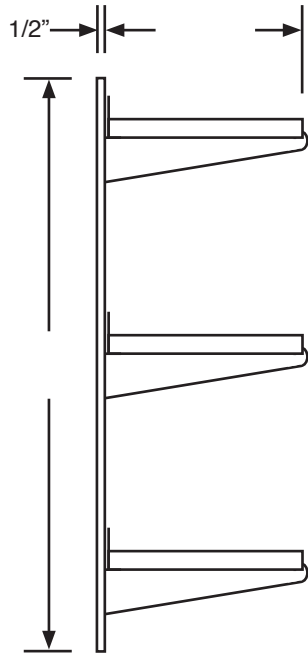
**CARR SHELVING SYSEM
MODEL CSS**

DATE: 8/17/18 DRAWING NO. 383
BY: JJR NOT TO SCALE

- 1. SHELF, STAINLESS, TYPE 304, #4 FINISH, HEIGHT ADJUSTABLE IN 1" INCREMENTS, QUANTITY ____.
- 2. SHELF, ELECT-GALVANIZED STEEL, POWDER COATED FINISH, COLOR "PURE WHITE", HEIGHT ADJUSTABLE IN 1" INCREMENTS, QUANTITY ____.
- 3. BRACKET, DOUBLE PLATES, ANACHROME, 2 ROWS OF MOUNTING TEETH.

- 4. LADDER, ANACHROME, TWO ROWS OF MOUNTING SLOTS, QUANTITY 3.
- 5. MOUNTING HOLES, COUNTER-SUNK, .238" DIAMETER.
- 6. BACKSTOP.

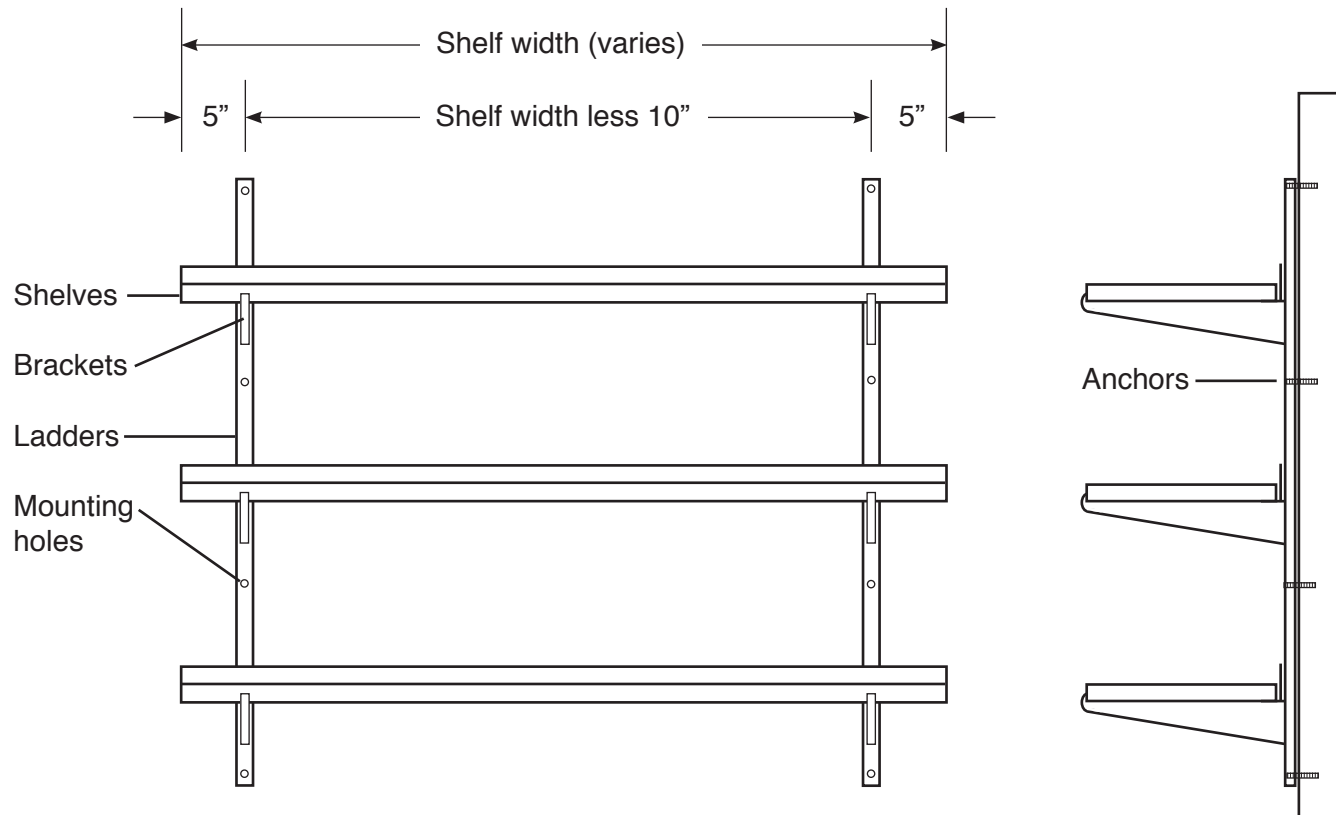
NOTE: ONLY ITEMS WITH MARKED BOXES ARE INCLUDED.
NOTE: ALL DIMENSIONS + - 1/8".



Carr Shelving System - CSS

Installation, Operation & Maintenance

Manual No. 384 Revised 9/18



Installation

1. Check local codes.
2. Vertical ladders install parallel to each other. Distance between ladder centers is the width of the shelves less 10". There is a 5" shelf overhang on each side.
3. Select anchors suitable for material and loading with countersink heads. Mounting holes are .1875" diameter.
4. Using appropriate anchors, secure ladders to drywall, studs, or backing as necessary based on anticipated loading. Install anchors in all mounting holes.
5. Install brackets into ladder slots at desired heights.
6. Place and center shelves on brackets.

Operation

Evenly distribute load on shelves. Do not overload.

Maintenance

Stainless shelves: Clean with mild detergent, water and dry. Apply, then wipe off a coat of mineral oil to make the stainless shine.

Painted shelves: Clean with mild detergent, water, & dry.

CARR

carrcorporation.com - 800 952 2398